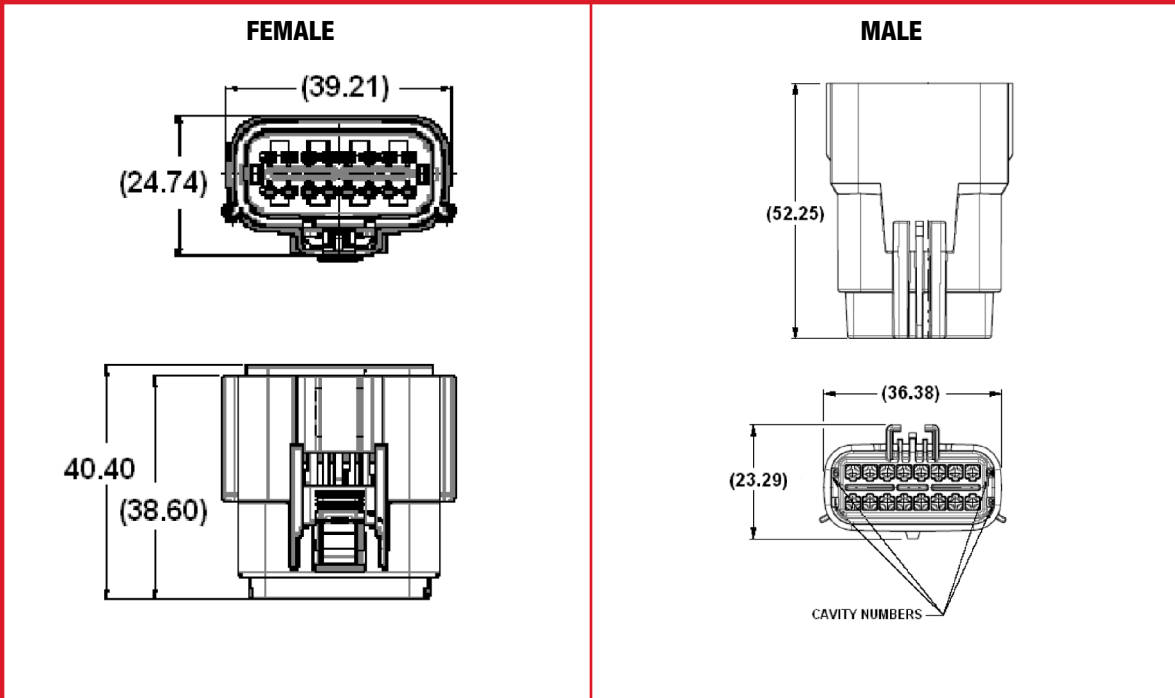




## FCI 16 Way APEX 150 Connection System



INDEX TYPE	HOUSING COLOR	PLUGGED SEAL POSITIONS (X)																FEMALE ASSEMBLY PART NUMBER	MALE ASSEMBLY PART NUMBER (SLOT 1)	MALE ASSEMBLY PART NUMBER (SLOT 2)
		1	2	3	4	5	6	7	8	9	10	11	12	13	14	15	16			
A	BLACK																	54241630	54241600	54241604
B	GREY																	54241631	54241601	54241605
C	BROWN																	54241632	54241602	54241606
D	GREEN																	54241633	54241603	54241607
A	BLACK								X									54241634	54241608	54241610
B	GREY								X									54241635	54241609	54241611
A	BLACK								X	X								54241636	54241612	54241614
B	GREY								X	X								54241637	54241613	54241615
A	BLACK	X							X	X								54241638	54241616	54241618
B	GREY	X							X	X								54241639	54241617	54241619
A	BLACK	X							X	X							X	54241640	54241620	54241622
B	GREY	X							X	X							X	54241641	54241621	54241623

NOTE 1: Assembly part numbers also available without CPA. See sale drawing for part numbers  
 NOTE 2: See Page 8 for explanation of clip slot type 1 and clip slot type 2.  
 Additional plugged cavity configurations are available upon request.