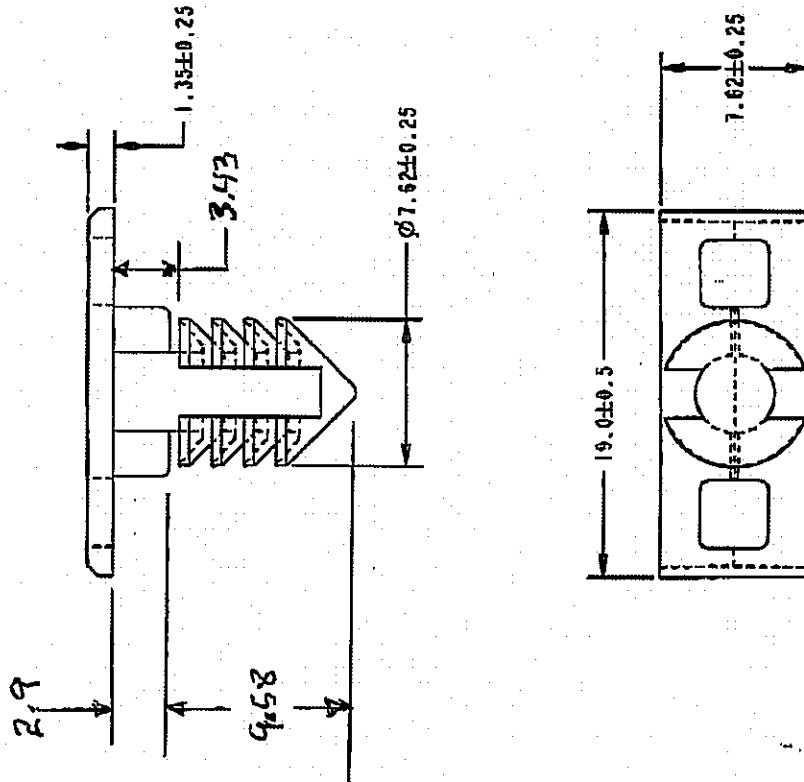


1	2	3	4	1	2	3	4
<p><input checked="" type="checkbox"/> PRINT CARD COMPLETED</p>							
<p>COMPUTER MODEL</p> <p>METRIC</p> <p>ALL DIMENSIONS SHOWN IN MM</p> <p>TOLERANCE AS NOTED</p> <p>.15% FRACTIONAL DIMENSIONS</p> <p>.25% DECIMAL DIMENSIONS</p> <p>DO NOT SCALE</p>							
<p>IF THIS PART IS TO BE USED WITH CUSTOMER AUTOMATION, DELTAR ENGINEERING MUST BE CONSULTED TO DETERMINE CRITICAL DIMENSIONS WHICH MAY AFFECT ASSEMBLY.</p>							
<p>DELTA TEKFAST</p> <p>AN ITW DELTAR FASTENER CO.</p> <p>1100 SOUTH HAVEN AVENUE TAMPA, FLORIDA 33613</p>							
<p>CLIP</p> <p>DRAWING NO. 15-002775</p> <p>REV. #A2</p>							
<p>NO. DATE REVISION DECN.</p> <p>A 10/07/98 CREATE DELTAR NUMBER 0208</p> <p>AI 11/17/98 COORDINATE RELEASE LEVELS 0071</p> <p>AI 11/17/98 REGRAPH AND DEREGULATED 10128</p>							
<p>DESIGNER DATE EXT. WT.</p> <p>MAB 11/14/98</p> <p>ENGINEER DATE SUPER.</p> <p>MAB 11/14/98</p> <p>CHK. DATE SCALE</p> <p>AB 11/14/98 2:1</p> <p>APP. DATE DIA. NO.</p> <p>AB 11/14/98</p> <p>100% BRITLY BOND</p> <p>NYLON 6/6</p> <p>MAT'L. SPEC.</p> <p>NYLON 6/6</p> <p>BLACK</p>							



NOTES:
 1. PART TO FIT IN A Ø6.6 DIA HOLE.
 2. NYLON COMPONENTS MAY HAVE MOISTURE ADDED TO CARTON PRIOR TO SHIPPING FOR PROPER FLEXIBILITY DURING INSTALLATION

DCA P/N 4625797