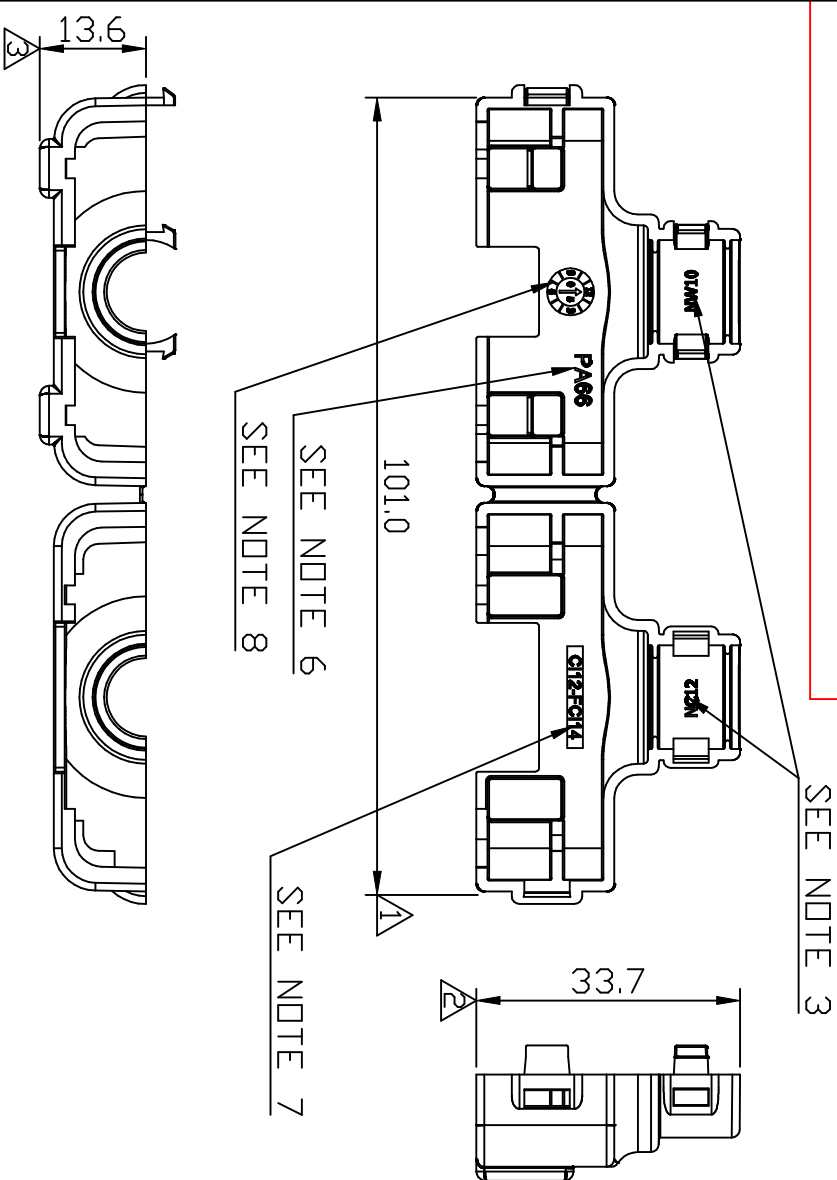


This drawing/document is a COPYRIGHT and the property of ADAPTAFLIX LIMITED. It must not be copied (in whole or part) used for manufacture or otherwise disclosed without prior written consent of the company

THIRD ANGLE PROJECTION

IF IN DOUBT ASK



MANUFACTURING DRAWING



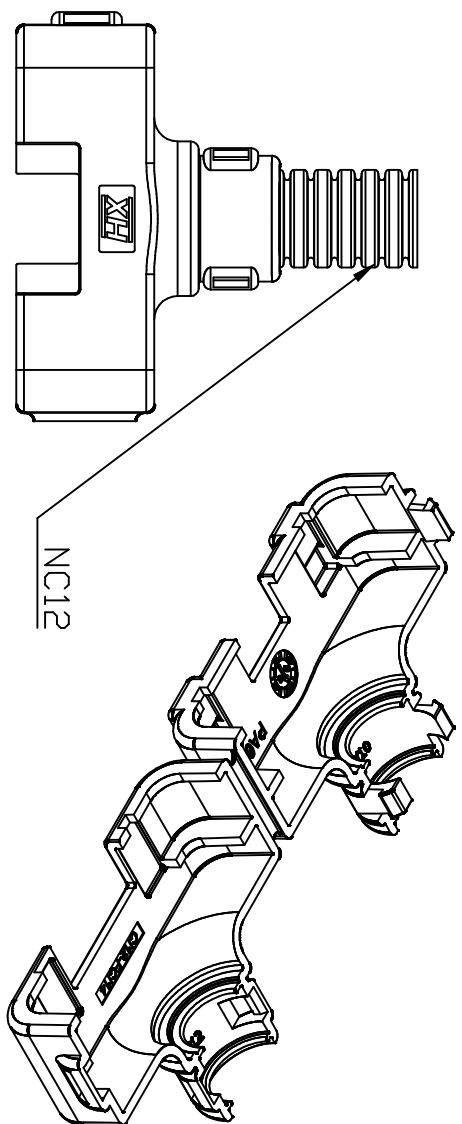
BIRMINGHAM ENGLAND

CI12-FC114

DRAWING NO. 4457 ISSUE 1

MATERIAL	NYLON 66 - BLACK
TUOL No.	AM169
WEIGHT	6.1g
GENERAL TOLERANCE	±0.2
UNSPECIFIED RADII	0.1 TO 0.2
ALL DIMENSIONS IN MM	
DO NOT SCALE FROM DRAWING	
DRAWN BY	M. BUCK
DATE	11/07/05
APPROVED BY	

NO	MODIFICATIONS	DATE	INTLS



- NOTES
- FOR FULL COMPONENT DETAILS SEE DRAWINGS HELD BY DESIGN DEPARTMENT.
 - QUALITY CHECK DIMENSIONS INDICATED BY ∇ QUANTITY 4
 - CHECK INTERNAL INSERT IDENTIFICATION 2 PLACES
 - ASSEMBLE CONDUIT AS SHOWN AND CLOSE TO ENSURE CLIP INTEGRITY
 - TEST HINGE BY FLEXING 10 TIMES TO EXTENTS ∇ OF MOVEMENT (WITHOUT LATCHING CLIPS) WITH NO BREAKAGE OF HINGE.
 - CHECK MATERIAL REFERENCE - PA66
 - CHECK PART IDENTITY CI12-FC114
 - CHECK DATE CLOCK, YEAR AND MONTH
 - FOR REGROUND LEVELS SEE : CD24
 - FOR CONDITIONING REQUIREMENTS SEE : CD25