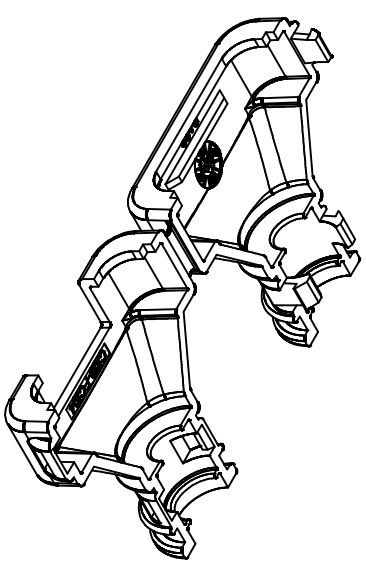
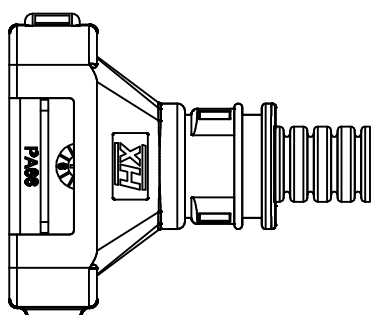
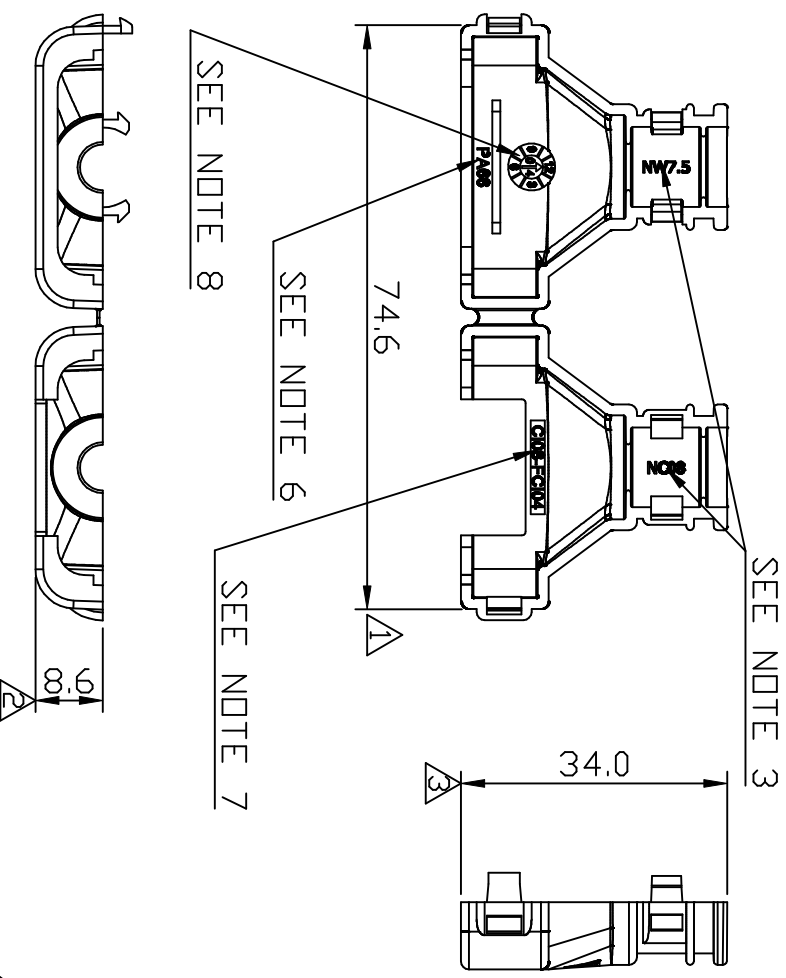


This drawing/document is a COPYRIGHT and the property of ADAPTALTEK LIMITED It must not be copied (in whole or part) used for manufacture or otherwise disclosed without prior written consent of the company

THIRD ANGLE PROJECTION

IF IN DOUBT ASK



MANUFACTURING DRAWING



BIRMINGHAM ENGLAND

TITLE

C108-FC104

DRAWING NO. 4453 ISSUE 2

MATERIAL	NYLON 66 - BLACK	
TUOL No.	AM169	WEIGHT 3.9g
GENERAL TOLERANCE	±0.2	
UNSPECIFIED RADII	0.1 TO 0.2	
ALL DIMENSIONS IN MM		
DO NOT SCALE FROM DRAWING		
DRAWN BY	M. BUCK	11/07/05
APPROVED BY		

NO	MODIFICATIONS	DATE	INTLS
1	3.9g WAS 4.01g (ISIR)	14/07/05	MB

- NOTES
- 1.FOR FULL COMPONENT DETAILS SEE DRAWINGS HELD BY DESIGN DEPARTMENT.
 - 2.QUALITY CHECK DIMENSIONS INDICATED BY ∇ QUANTITY 4
 - 3.CHECK INTERNAL INSERT IDENTIFICATION 2 PLACES
 4. ASSEMBLE CONDUIT AS SHOWN AND CLOSE TO ENSURE CLIP INTEGRITY
 - 5.TEST HINGE BY FLEXING 10 TIMES TO EXTENTS ∇ OF MOVEMENT (WITHOUT LATCHING CLIPS) WITH NO BREAKAGE OF HINGE.
 - 6.CHECK MATERIAL REFERENCE - PA66
 - 7.CHECK PART IDENTITY C108-FC104
 - 8.CHECK DATE CLOCK, YEAR AND MONTH
 - 9.FOR REGROUND LEVELS SEE : CD24
 - 10.FOR CONDITIONING REQUIREMENTS SEE : CD25