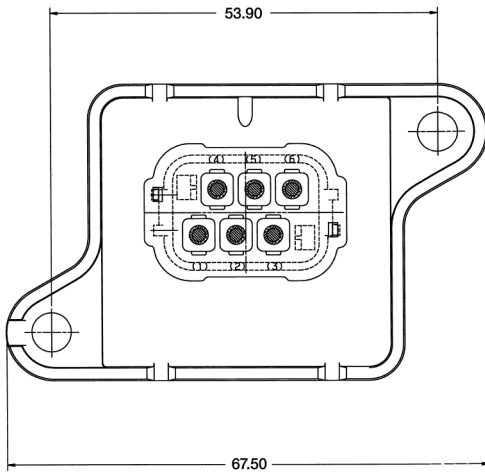
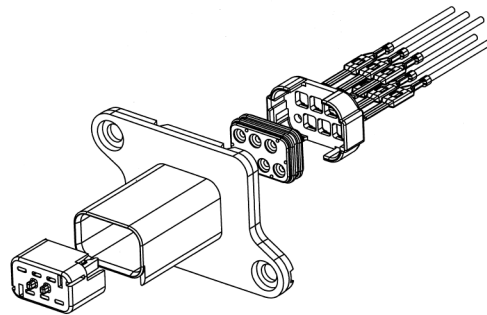




## Flanged 6-Way Male APEX 2.8 Connector



Part No. 54200638 (Pass-Through Connection)



| INDEX TYPE | HOUSING COLOR | SEALED/ UNSEALED | MATING FEMALE ASSEMBLY PART NUMBER | TEMPERATURE RATING OF MATERIAL | WIRE INSULATION RANGE PER CAVITY (mm) |
|------------|---------------|------------------|------------------------------------|--------------------------------|---------------------------------------|
| A          | BLACK         | SEALED           | 54200608                           | -40°C to +125°C                | 1.70 – 2.77                           |

Note: Additional sealing configuration available to accommodate larger (3.35mm) wire.