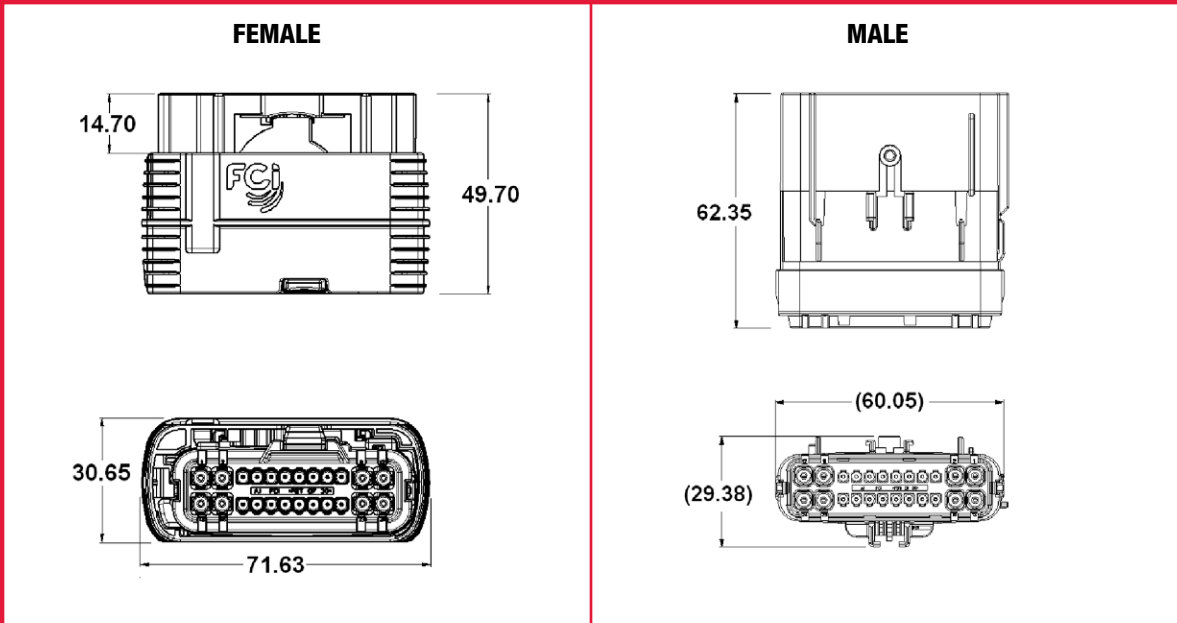




FCI Sealed 24 Way APEX Hybrid (1.5 mm/2.8 mm) Connection System



INDEX TYPE	HOUSING COLOR	FEMALE ASSEMBLY PART NUMBER	MALE ASSEMBLY PART NUMBER
A	BLACK	F934000	F254000
B	GRAY	F044000	F354000
C	BROWN	F144000	F454000
D	GREEN	F244000	F554000

APPLICATION NOTES:

- APEX 150 CAVITY DESIGNATIONS: CAVITIES 3,4,5,6,7,8,9,10 and 15,16,17,18,19,20,21,22
- APEX 2.8 CAVITY DESIGNATIONS: CAVITIES 1,2,11,12,13,14, 23,24
- ALLOWABLE WIRE SIZE RANGE FOR 1.5 mm CAVITIES: 22-16 AWG TXL (1.50 mm min. to 2.35 mm max.)
- ALLOWABLE WIRE SIZE RANGE FOR 2.8 mm CAVITIES: 18-12 AWG TXL (1.91 mm min. to 3.30 mm max.)
- ASSOCIATED COMPONENTS:
 - CAVITY PLUG FOR APEX 150 CAVITIES: 54241629
 - CAVITY PLUG FOR FEMALE APEX 2.8 CAVITIES: 54240002
 - CAVITY PLUG FOR MALE APEX 2.8 CAVITIES: 54240003