

Molex RF/Microwave



Capabilities and Product Overview



Molex RF/Microwave Facilities

- Molex RF/Microwave Division, headquartered in Mooresville, Indiana
 - ISO 9001 & 14001 certified
 - Opened in 1996
- Manufacturing in 2 locations, over 60,000 square feet combined



Mooresville, IN



Taipei, Taiwan



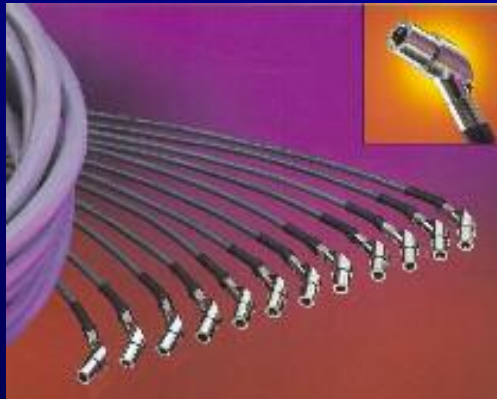
Molex RF/Microwave Facilities



- Indiana - prototypes, custom parts and assembly
- Taiwan - High volume, economical manufacturing (dedicated Molex facility)



RF/Microwave Product Capabilities



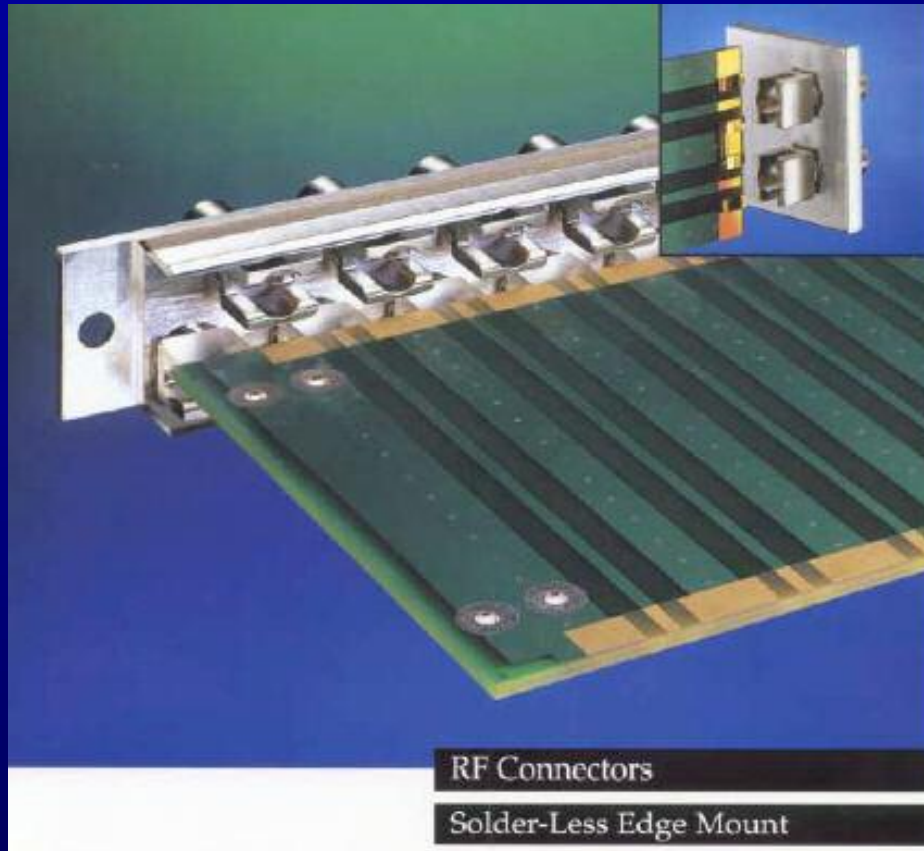
- Custom RF/microwave solutions
- High volume, economical products
- Solving packaging and performance issues
 - Ganged RF Connectors
- Machined, stamped, die-cast, and molded products
- Cable assemblies
- Solderless PCB terminations
 - End launch
 - Through hole

Broad Range of Connector Offering

- SMA 50 & 75 Ohm
 - Stainless & Brass
- SMB
 - 50 Ohm
 - 75 Ohm Air Dielectric
 - 75 Ohm PTFE
- MCX 50 & 75 Ohm
- MMCX
- BNC 50 & 75 Ohm
- TNC
- 1.0/2.3
- 1.6/5.6
- SMP (GPO Compatible)
- BMA
- Type N
- Type F & G
- 7/16 DIN
- SSMB/C
- HN
- Type C
- UHF
- Mini-UHF
- Triax
- Quadrax
- SSMA
- FME
- FAKRA

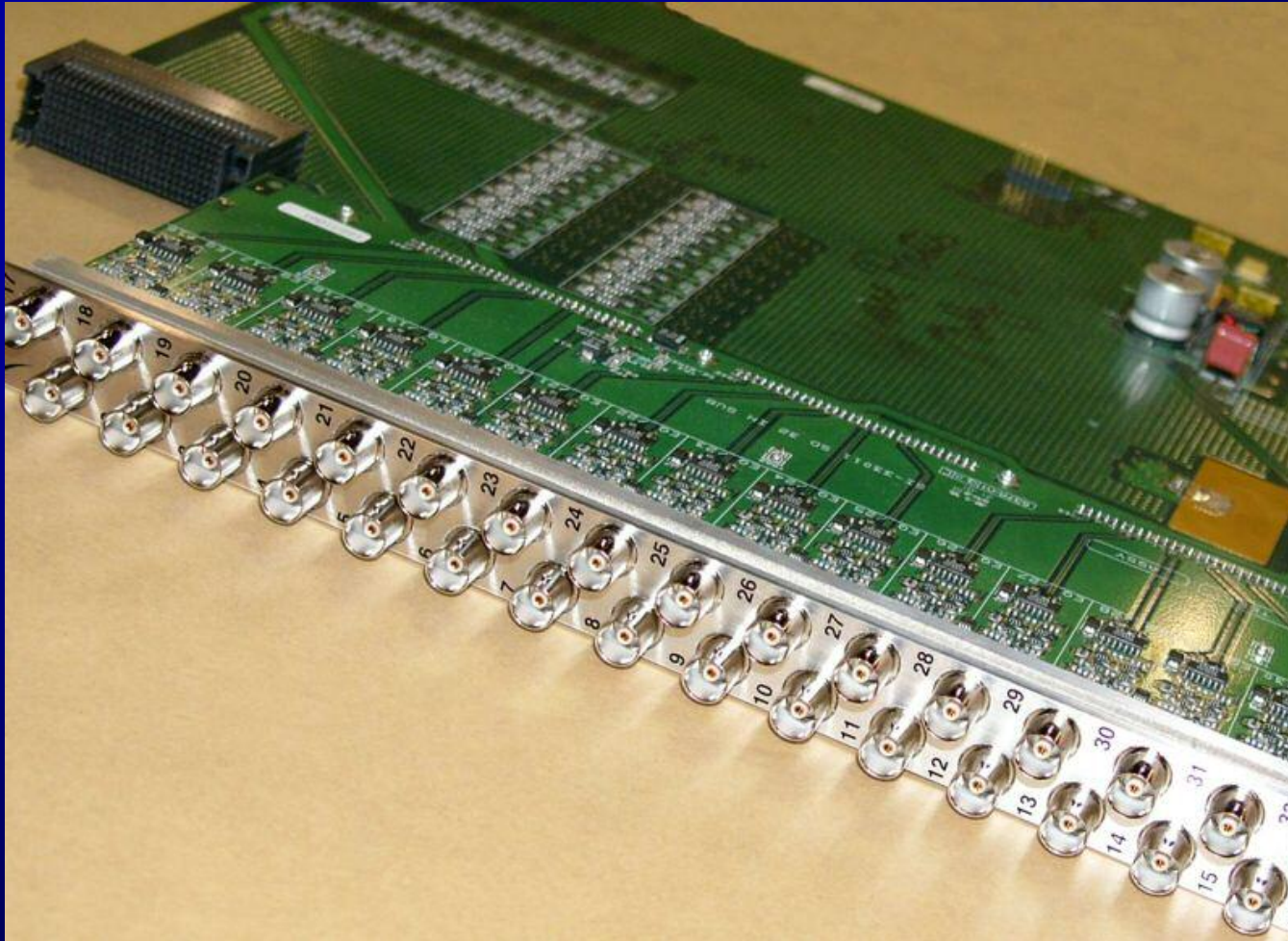


BNC Solderless End Launch



- Solderless PCB mount
- 75 Ohm
- $<1.1:1$ VSWR to 3 GHz
- 8, 16 and 32 Port versions
- .093" thick PCB
- Patented

32 Position Solderless End Launch

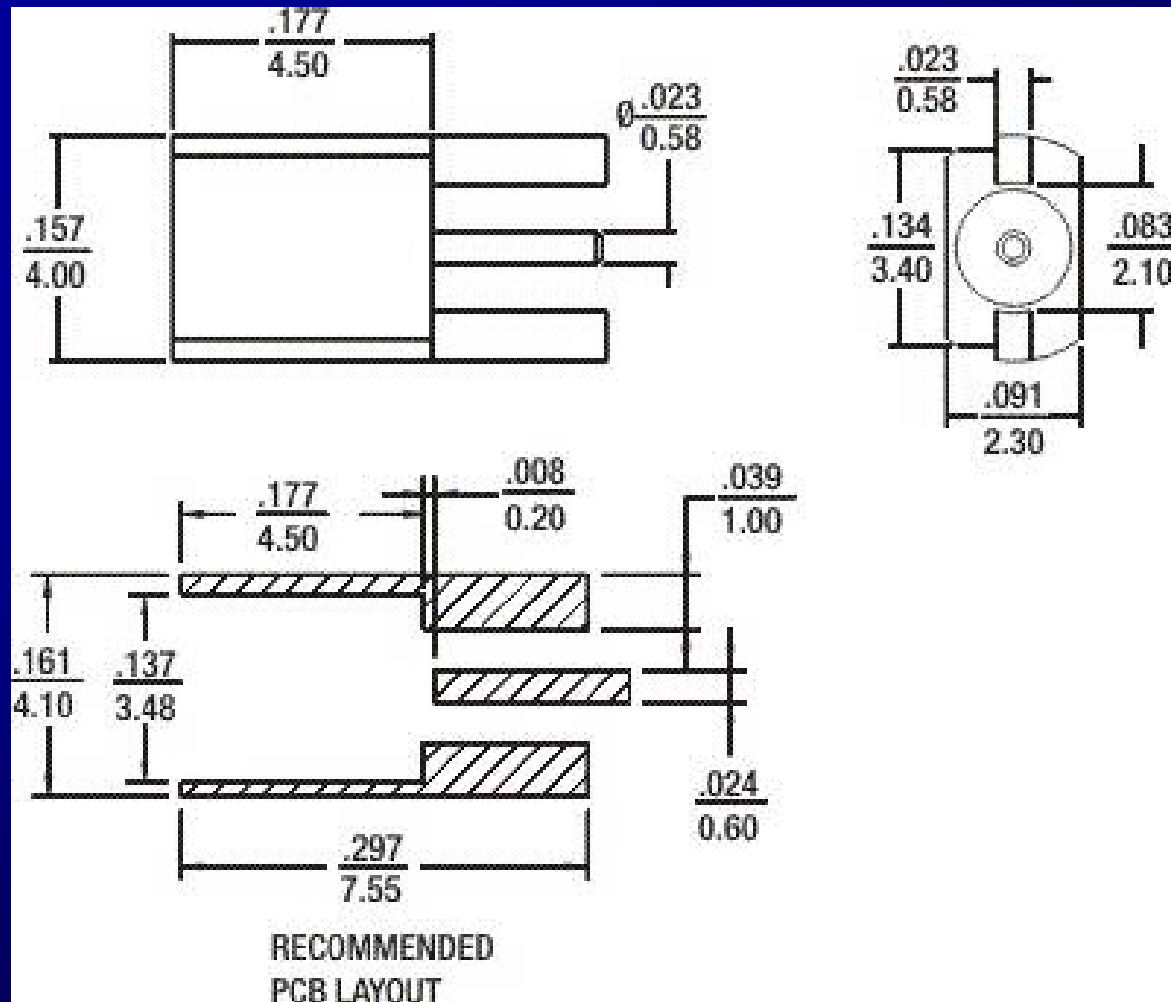


Molex SSMCX

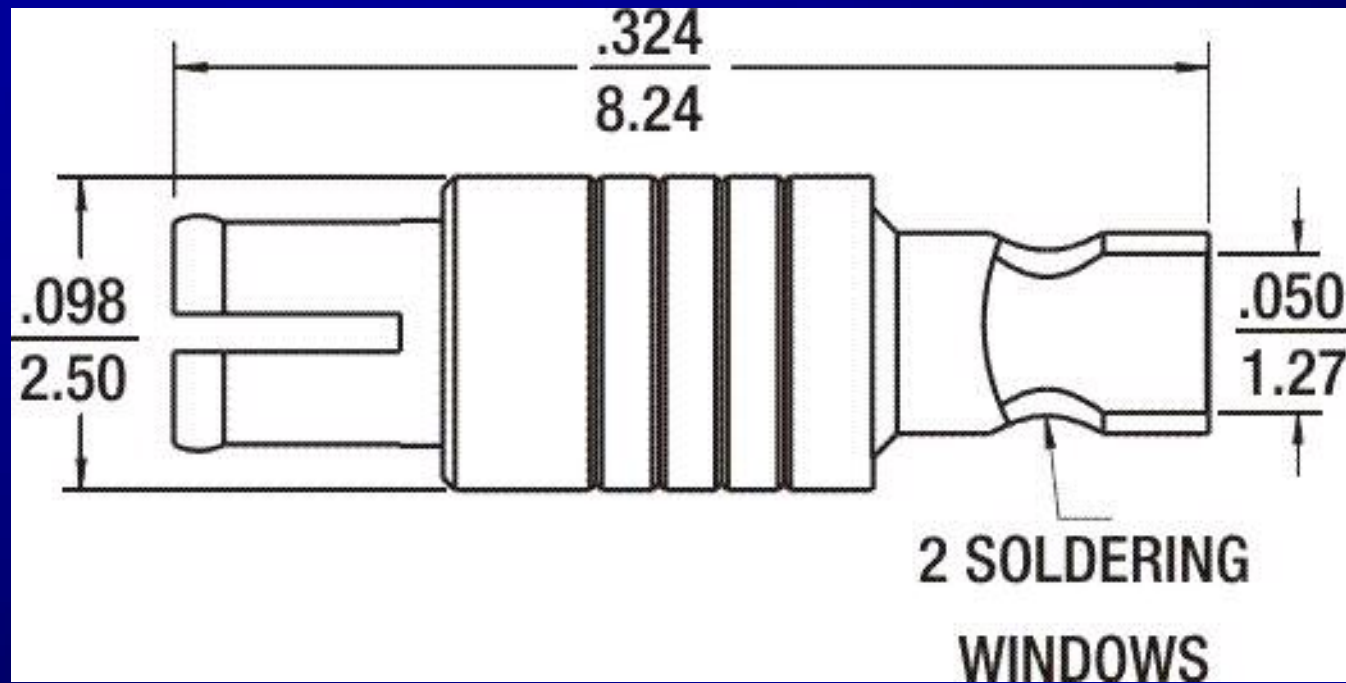


- The Patented Molex SSMCX is about 30% smaller than MMCX
- Straight designs will operate to 10 GHz
- Snap-on mating like the MCX
- Improved electrical characteristics
- VSWR of 1.25:1 at 6 GHz

SSMCX Edge Mount Jack



SSMCX Cable Plug



SSMCX Designs Available

- Edge Mount Jack – 73415-4670
- PCB Vertical SMT Jack – 73413-0040
- PCB Vertical Through Hole Jack – 73413-0050
- Cable Plug, R/A, 1.32mm cable – 73413-0060
- Cable Plug, R/A, RG178 cable – 73413-0070
- Cable Plug, STR, 1.37mm cable – 73415-4680
- Cable Jack, STR, 1.37mm cable – 73415-4760
- Various cable assemblies and adapters
- Custom derivations

