

Server, Desktop, Notebooks, and Netbooks

Programs Supported

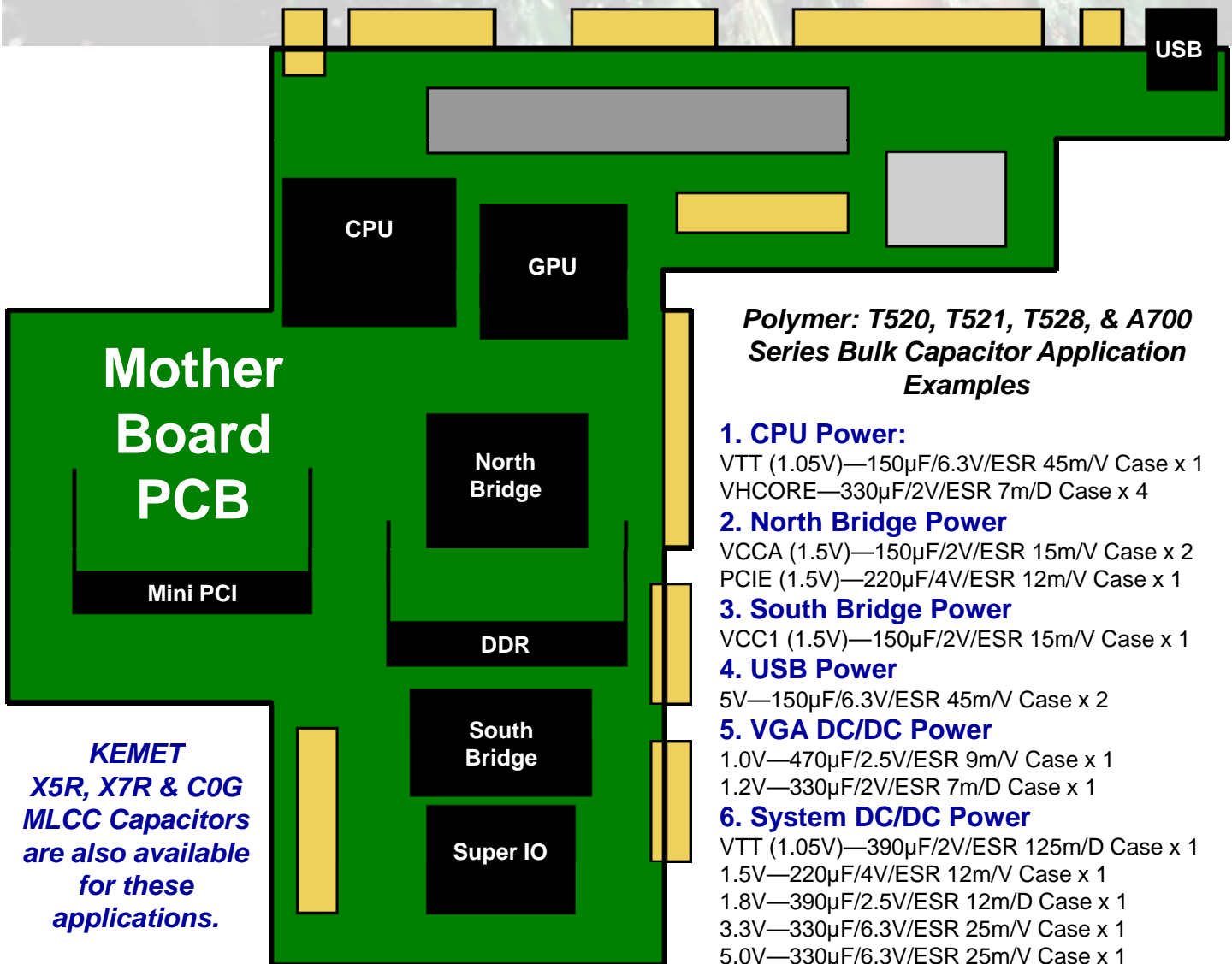
- A microprocessor system can be divided basically into following areas, where Tantalum, Tantalum-polymer or Aluminum-polymer capacitors are used:

On the Motherboard:

- VRM (Voltage Regulator Module) = Core Power Supply
- RAM (Random Access Memory)
- Bus interface (PCI, SCSI, PCIE, etc.)
- External interface (Ethernet, USB 2.0)

Benefits & Advantages

- 95% of possible capacitance solutions
- 50+ years of experience building capacitors
- Forecasting & consignment
- Second largest polymer manufacturer worldwide
- Easy-To-Buy-From Philosophy
- Global footprint – Manufacturing & Sales



Polymer: T520, T521, T528, & A700 Series Bulk Capacitor Application Examples

1. CPU Power:

- VTT (1.05V)—150µF/6.3V/ESR 45m/V Case x 1
- VHCORE—330µF/2V/ESR 7m/D Case x 4

2. North Bridge Power

- VCCA (1.5V)—150µF/2V/ESR 15m/V Case x 2
- PCIE (1.5V)—220µF/4V/ESR 12m/V Case x 1

3. South Bridge Power

- VCC1 (1.5V)—150µF/2V/ESR 15m/V Case x 1

4. USB Power

- 5V—150µF/6.3V/ESR 45m/V Case x 2

5. VGA DC/DC Power

- 1.0V—470µF/2.5V/ESR 9m/V Case x 1
- 1.2V—330µF/2V/ESR 7m/D Case x 1

6. System DC/DC Power

- VTT (1.05V)—390µF/2V/ESR 125m/D Case x 1
- 1.5V—220µF/4V/ESR 12m/V Case x 1
- 1.8V—390µF/2.5V/ESR 12m/D Case x 1
- 3.3V—330µF/6.3V/ESR 25m/V Case x 1
- 5.0V—330µF/6.3V/ESR 25m/V Case x 1

KEMET
X5R, X7R & C0G
MLCC Capacitors
 are also available
 for these
 applications.