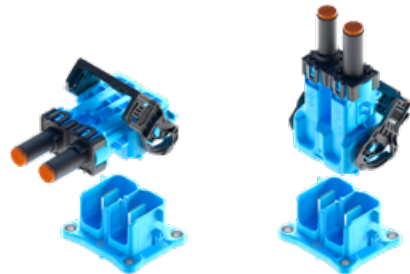


48 V CLASS 4 PLK 14,5

For all powerful applications.

- ⊕ Robust and compact design
- ⊕ Two plug directions
(90° and 180° on the same interface)
- ⊕ Crimping and welding
wire connections



2-WAY 90°

2-WAY 180°

APPLICATIONS

- 48 V application
- Inverter, battery, electrical motor
- And other devices

FEATURES



Current Carrying Capacity
280 A (80 °C / 70 mm²)



Cable Cross-Section
16 mm² – 50 mm² (crimped)
16 mm² – 70 mm² (welded)



Voltage Range
48 V



Pitch
14,5 mm x 1,8 mm/Ag



Temperature
-40°C to 140 °C



Validation acc. to
PSA
B21 7050E

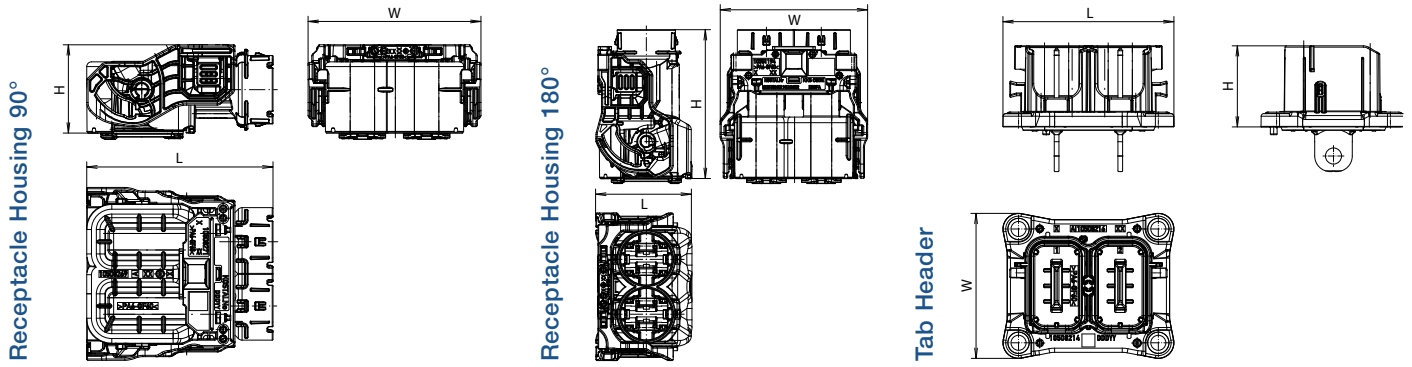
we **connect**

Experience how we connect the global automotive industry with high performance connector systems.

www.kostal-kontakt-systeme.com



DIMENSIONS



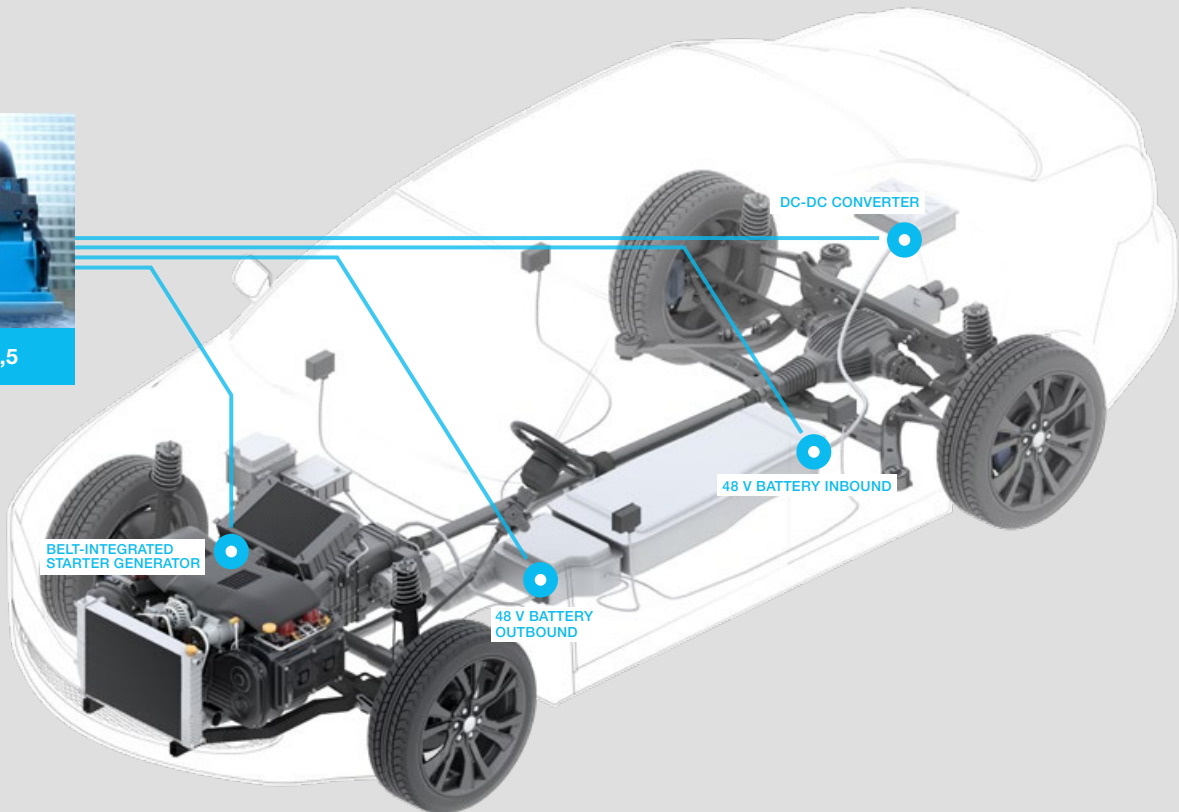
TECHNICAL DATA

Receptacle Housing 90°

Receptacle Housing 180°

Tab Header

Cavities	PN Code A	Dimensions L x H x W (mm)	PN Code A	Dimensions L x H x W (mm)	PN Code A	Dimensions L x H x W (mm)
2	10509981	71 x 65.9 x 33.65	10508214	42.9 x 66.55 x 65.9	10508268	65.8 x 31.2 x 55.8



COMPATIBLE WITH



VIEW OUR CATALOG

All information in the technical drawings in millimeters. Part numbers, specifications, dimensions and performance data in this catalog are for general reference only and are subject to change without notice. To verify product information, please contact your local KOSTAL Kontakt System representative.

Date Published: 05/2022