

# HV CLASS 4 PLK 14,5 KHV 600

A family of connectors for a variety of applications.

- ⊕ Water proof sealed connection system
- ⊕ Header includes Tab
- ⊕ HVIL integration
- ⊕ Touch protection
- ⊕ Multiple codings



## APPLICATIONS

- Inverter
- E-Motor
- HV-Battery
- On-Board Charger (OBC)
- And other devices

## FEATURES



**Current Carrying Capacity**  
250 A continuous  
@ 80 °C / 50 mm<sup>2</sup>



**Voltage Range**  
600 V @ 4200 m ASL



**Temperature**  
-40°C to 140 °C



**Cable Cross-Section**  
16 mm<sup>2</sup> – 50 mm<sup>2</sup>  
Cu and Al-wires



**EMI Shielding Class**  
65 dB (0.1 - 40 MHz)



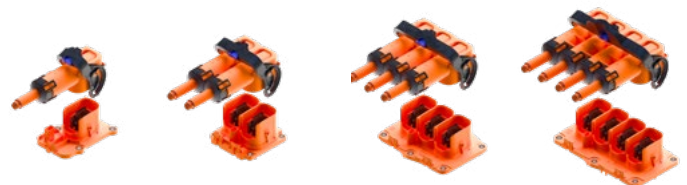
**Sealing Protection**  
IP67, IP6K9K



**Touch Protection**  
IPxxB / IPxxD



**Validation acc. to**  
PSA  
B21  
70 50 Index D



1-WAY

2-WAY

3-WAY

4-WAY

we **connect**

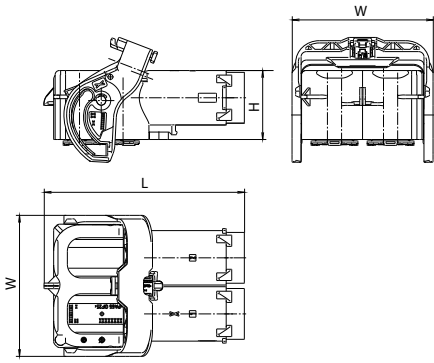
Experience how we connect the global automotive industry with high performance connector systems.

[www.kostal-kontakt-systeme.com](http://www.kostal-kontakt-systeme.com)

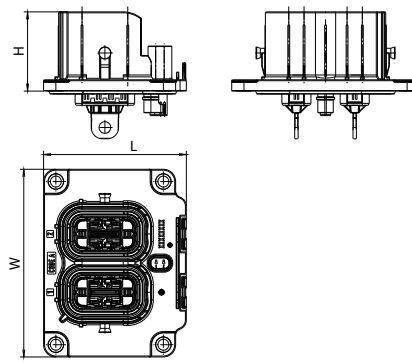


## DIMENSIONS

Receptacle Housing



Tab Header



## TECHNICAL DATA

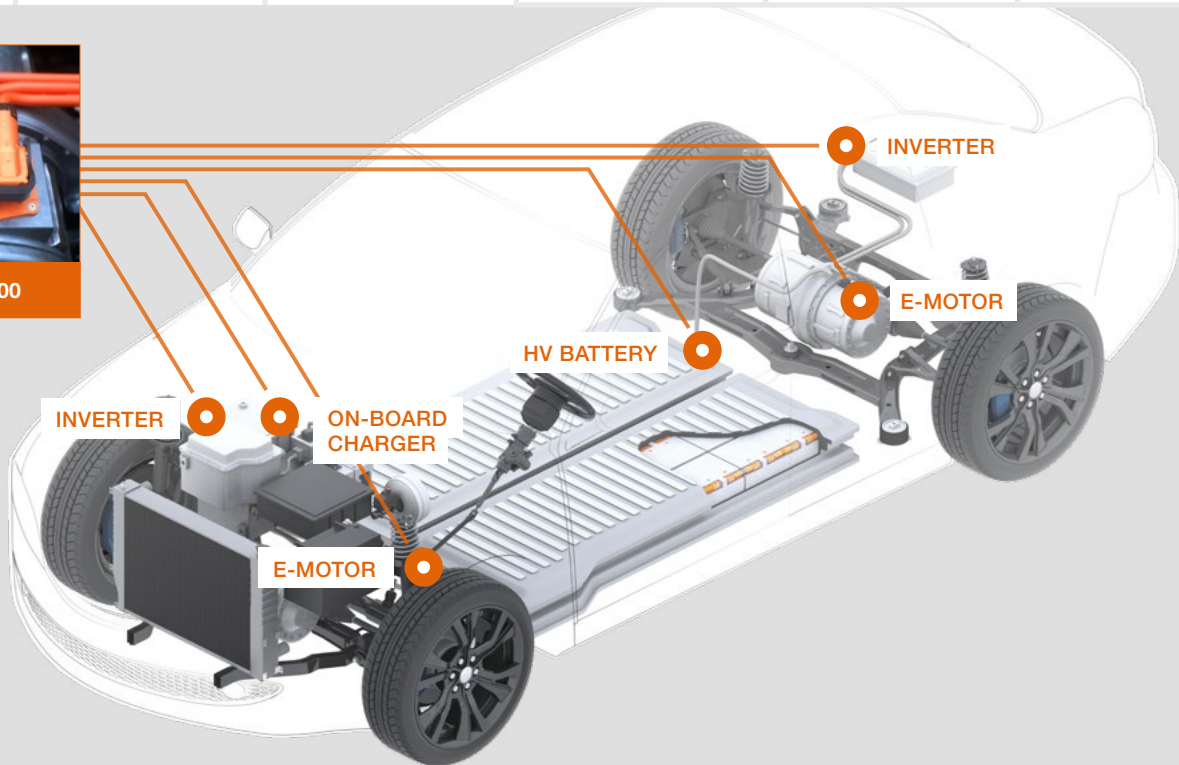
Receptacle with CPA

Tab Header

Cavities	PN Code A	Dimensions L x H x W (mm)	PN Code A	Dimensions L x H x W (mm)	Other Codings
1	10022774	110 x 41 x 47	10136406	96 x 42 x 65	-
2	10019942	110 x 41 x 78	10022369	76 x 42 x 100	B
3	10019158	110 x 41 x 109	10022433	100 x 42 x 122	B
4	10022773	110 x 41 x 140	10140397	100 x 42 x 153	-



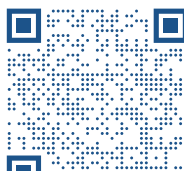
KHV 600



## COMPATIBLE WITH



PLK 14,5



VIEW OUR CATALOG

All information in the technical drawings in millimeters. Part numbers, specifications, dimensions and performance data in this catalog are for general reference only and are subject to change without notice. To verify product information, please contact your local KOSTAL Kontakt System representative.

Date Published: 05/2022