

PLEASE CHECK WWW.MOLEX.COM FOR LATEST PART INFORMATION

Part Number: [0743201004](#)
Status: **Active**
Overview: [MicroCross DVI Connectors and Cable Assemblies](#)
Description: MicroCross DVI-I Digital/Analog Visual Interface, PCB Receptacle, Panel Mount, Through Hole, Right-Angle, Gold (Au) Flash Plating, Screw Hole, 4-40 Thread, 2.34mm PC Tail Length, 29 Circuits, Lead-Free

Documents:

| | |
|--|--|
| 3D Model | Product Specification TS-74320-001-001 (PDF) |
| Drawing (PDF) | Packaging Specification PK-74320-010-002 (PDF) |
| 3D Model (PDF) | RoHS Certificate of Compliance (PDF) |
| Product Specification PS-74320-001-001 (PDF) | |

Agency Certification

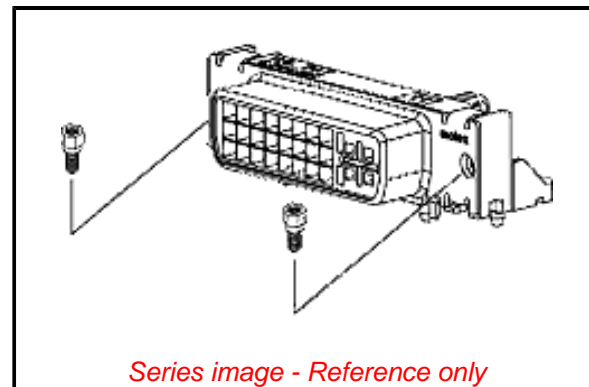
UL E29179

General

| | |
|----------------|--|
| Product Family | I/O Connectors |
| Series | 74320 |
| Application | Wire-to-Board |
| Comments | DDWG (Digital Display Working Group) Standard |
| Component Type | Receptacle |
| Overview | MicroCross DVI Connectors and Cable Assemblies |
| Product Name | MicroCross DVI |
| Type | N/A |
| UPC | 800753526495 |

Physical

| | |
|--------------------------------|---------------|
| Boot Color | N/A |
| Circuits (Loaded) | 29 |
| Circuits (maximum) | 29 |
| Color - Resin | Natural |
| Durability (mating cycles max) | 100 |
| Flammability | 94V-0 |
| Gender | Receptacle |
| Keying to Mating Part | Yes |
| Lock to Mating Part | Yes |
| Material - Metal | Copper Alloy |
| Material - Plating Mating | Gold |
| Material - Plating Termination | Tin |
| Net Weight | 6.935/g |
| Number of Rows | 3 |
| Orientation | Right Angle |
| PC Tail Length | 2.34mm |
| PCB Locator | Yes |
| PCB Retention | Yes |
| Packaging Type | Tray |
| Panel Mount | Yes |
| Pitch - Mating Interface | 1.90mm |
| Pitch - Termination Interface | 1.90mm |
| Plating min - Mating | 0.051µm |
| Plating min - Termination | 2.540µm |
| Polarized to Mating Part | Yes |
| Polarized to PCB | Yes |
| Ports | 1 |
| Surface Mount Compatible (SMC) | No |
| Temperature Range - Operating | -20° to +85°C |



Series image - Reference only

EU ELV

Not Relevant

EU RoHS

Compliant

REACH SVHC

Not Contained Per -
D(2022)4187-DC (10
June 2022)

Halogen-Free

Status

Low-Halogen

For more information, please visit [Contact US](#)

China ROHS

ELV

RoHS Phthalates

China RoHS

Green Image

Not Relevant

Not Contained

Search Parts in this Series

[74320 Series](#)

Mates With

[88744](#) , [74323](#)

Use With

Hex Screw Kit [717811000](#) or [717812000](#)

| | |
|------------------------------|--------------|
| Termination Interface: Style | Through Hole |
| Waterproof / Dustproof | No |
| Wire Size AWG | N/A |

Electrical

| | |
|-------------------------------|--------------|
| Current - Maximum per Contact | 3.0A |
| Grounding to Panel | Yes |
| Shield Type | Full Shield |
| Shielded | Yes |
| Voltage - Maximum | 40V AC (RMS) |

Solder Process Data

| | |
|------------------------------|------|
| Lead-free Process Capability | WAVE |
|------------------------------|------|

Material Info**Reference - Drawing Numbers**

| | |
|-------------------------|------------------------------------|
| Packaging Specification | PK-74320-010-002 |
| Product Specification | PS-74320-001-001, TS-74320-001-001 |
| Sales Drawing | SD-74320-001-000 |

This document was generated on 06/29/2022

PLEASE CHECK WWW.MOLEX.COM FOR LATEST PART INFORMATION