



## CRC shielded rectangular I/O connector system from Molex provides 7.0A to 15.0A of signal/power in up to 50-circuits for industrial, datacom, medical and other applications

Molex's CRC rectangular I/O connector system provides a compact solution for small industrial robotics and factory automation equipment. This panel-mount system takes up approximately 1/15th the space of industry-standard heavy-duty connectors. The connector system was designed to meet the space savings and shielding requirements found in various industrial and clean-room applications.

Modular CRC terminal housings can be easily snapped into panel-mount shells without any tools making field installation and maintenance fast and easy. Crimp termination saves additional costs and simplifies wiring.

CRC connectors are delivered in kit form for easy assembly and only one part number to inventory. Housings and shells can accept either male or female inserts for maximum design flexibility.

## CRC™ Shielded Rectangular I/O Connectors



CRC Shielded Rectangular I/O Connectors

### Features and Benefits

Compact design takes up approximately 1/15th the space of industry standard duty connectors

Space savings and full shielding meet the requirements found in various industrial and clean-room applications

Simplified kit ordering makes managing assembly and inventory easy

Receptacle shells available for front or rear panel mount to accommodate any application

Audible and tactile clicks on insertion to facilitate reliable mating

Available in wire-to-wire and wire-to-panel mount configurations

### Applications

#### Automotive

- Robot and other machine control

#### Data/Communications

- Vision systems

#### Industrial Automation

- Industrial equipment
- Instrumentation
- Robotics
- Vision systems

#### Medical

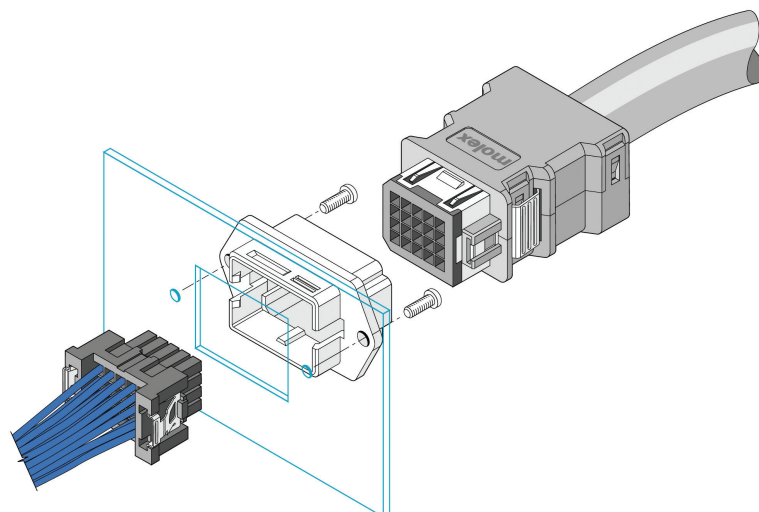
- Instrumentation
- Medical devices

#### Military/Aerospace

- Vision systems

#### Telecommunications

- Instrumentation
- Vision systems





## Ordering Information

### Connectors

## CRC™ Shielded Rectangular I/O Connectors

Circuits	Description	Order No.
12	Cable clamp	056382-1200
20		056382-2000
30		056382-3000
50		059589-5000

Circuits	Description	Flange	Order No.
12	Plug cover	Yes	051235-1215
		No	051236-1205
20		Yes	051235-2015
		No	051236-2005
30		Yes	051235-3015
		No	051236-3005
50		Yes	059587-5010
		No	059588-5000
12	Receptacle cover	No	051237-1205
20			051237-2005

Circuits	Description	Mounting Style	Order No.
12	Panel Mount Receptacle Shell	Front Mount	056377-1200
		Rear Mount	056377-1201
20		Front Mount	056377-2000
		Rear Mount	056377-2001
30		Front Mount	056377-3000
		Rear Mount	056377-3001
50		Front Mount	056377-5000
		Rear Mount	056377-5001

Circuits	Description	Description	Terminal:	Polarization Type:	Order No.
4	KIT	Plug	Female	A	051297-0471
			Male	A	055887-0471
12		Receptacle	Female	A	051298-0471
			Male	Standard	054332-1270
20		Plug	Female		055836-1270
			Male		054332-2070
30		Receptacle	Female		A
			Male	054333-2071	
30		Plug	Female	Standard	054332-3070
			Male		055836-3070
50		Receptacle	Female	A	054333-3071
			Male	Standard	054332-5001
	Plug	Female	055836-5001		

\*Other polarization options available, please visit [www.molex.com](http://www.molex.com)

### Connectors

Circuits	Description	Description	Terminal	Polarization Type	Order No.
4	Housing	Plug	Female	A	051297-0471
			Male	D	055891-0404
		Receptacle	Female	A	051300-0411
			Male	A	055890-0411
12		Plug	Female	Standard	051239-1201
			Male	Standard	051234-1201
		Receptacle	Female	Standard	051238-1211
			Male	Standard	051233-1211
20	Plug	Female	Standard	051239-2001	
		Male	Standard	051234-2001	
	Receptacle	Female	Standard	051238-2011	
		Male	Standard	051233-2011	
30	Plug	Female	Standard	051239-3001	

Circuits	Description	Description	Terminal	Polarization Type	Order No.
30	Housing	Plug	Male	Standard	051234-3001
			Female	Standard	051238-3011
		Receptacle	Male	Standard	051233-3011
Plug			Female	Standard	051239-5011
		50	Receptacle	Male	Standard
Plug				Female	Standard
	50	Receptacle	Male	Standard	051233-5011

\*Other polarization options available, please visit [www.molex.com](http://www.molex.com)

### Terminals

Gender	Packaging	Wire Size (AWG)	Pin Length	Order No.
Male	Reel	14-18	Standard	56193-4028
	Loose			56193-4128
	Reel	18-22		56119-8228
	Loose			56119-8328
	Reel	24-28		56118-8228
	Loose			56118-8328
Female	Reel	14-18	Standard	56194-9028
	Loose			56194-9128
	Reel	18-22		56121-8428
	Loose			56121-8528
	Reel	24-28		56120-8428
	Loose			56120-8528

\*Other pin lengths available, please visit [www.molex.com](http://www.molex.com)

[www.molex.com/link/crc.html](http://www.molex.com/link/crc.html)