

CUSTOMER PRINT

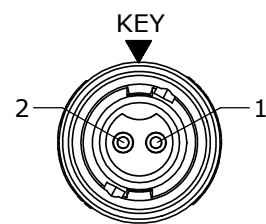
PART NUMBER: CA16280XPXXX90

- NOTES:
 1. FINISHED CABLE ASSEMBLY TO BE COILED
 2. OVERMOLD BOOT MATERIAL: PVC, BLACK
 3. ELECTRICAL TEST: 100% CONTINUITY

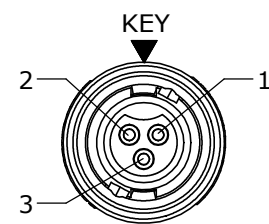
ASS'Y P/N	NO. OF POSITION	"X" DIM.
CA162802P07990	2 POS.	6 FT. 7 IN. ± 2 IN. [2M]
CA162803P07990	3 POS.	
CA16280XPXXX90		

CABLE LENGTH IN "INCHES"

NO OF POSITIONS



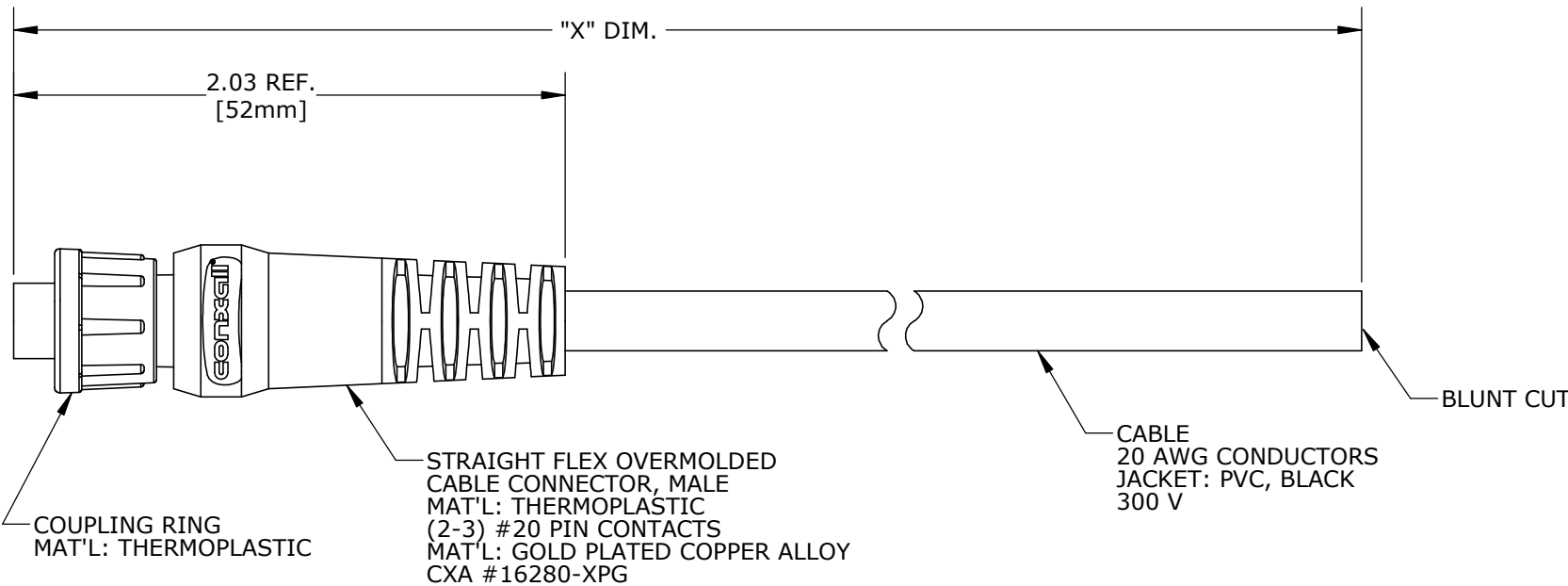
FACE VIEW
P/N: CA162802PXXX90



FACE VIEW
P/N: CA162803PXXX90

O-RING
MAT'L: RUBBER

END "A"



COUPLING RING
MAT'L: THERMOPLASTIC

STRAIGHT FLEX OVERMOLDED
CABLE CONNECTOR, MALE
MAT'L: THERMOPLASTIC
(2-3) #20 PIN CONTACTS
MAT'L: GOLD PLATED COPPER ALLOY
CXA #16280-XPG

CABLE
20 AWG CONDUCTORS
JACKET: PVC, BLACK
300 V

BLUNT CUT

ASSY P/N	CABLE	COLOR CODE END "A"		
CA162802PXXX90	2/20 AWG O.D. 0.215 REF	COLOR CODE		
		POS. 1	POS. 2	
		BLK	WHT	
CA162803PXXX90	3/20 AWG O.D. 0.220 REF	WIRE COLOR CODE		
		POS. 1	POS. 2	POS. 3
		BLK	WHT	GRN

DIMENSIONS IN BRACKET [] ARE METRIC.

CUSTOMER APPROVAL

THIS DOCUMENT CONTAINS CONFIDENTIAL INFORMATION PROPRIETARY TO CONXALL CORPORATION. ANY REPRODUCTION, DISCLOSURE, OR USE OF THIS DOCUMENT /INFORMATION IS EXPRESSLY PROHIBITED UNLESS AUTHORIZED IN WRITING BY CONXALL CORPORATION.

APPROVED BY: _____
DATE: _____

RoHS COMPLIANT

REV.	INIT.	DATE	DESCRIPTION
B	AB	09-10-19	NEW FLEX OVERMOLD PER DOR 19-SQ104238JS
A	AN	11-08-16	DRAWING CREATED PER DOR 16-7663JP

<small>ALL INFORMATION ILLUSTRATED IS THE PROPERTY OF "CONXALL CORPORATION". UNAUTHORIZED DUPLICATION OR DISTRIBUTION OF THIS DOCUMENT IS PROHIBITED.</small>	ORIG. DRAWN BY: AN DATE: 11-07-16	<p>601 E. WILDWOOD VILLA PARK, IL 60181</p>
<small>ALL UNITS ARE IN FEET, INCHES, FRACTION OF INCHES AND DECIMALS.</small>	CHECKED BY: _____ APPROVED BY: _____	
<small>△ - CRITICAL CHARACTERISTIC FLAG PER SPEC. XXXX</small>	SCALE: NTS SIZE: B SHEET: 1 OF 1	TITLE: CABLE ASSEMBLY (2-3) #20 PIN CONTACTS MICRO-CON-X STANDARD PRODUCT CUSTOMER: STANDARD PRODUCT PART NUMBER: CA16280XPXXX90
	FILE: CA16280XPXXX90 DIRECTORY: SLW	REV B