

S E A C O N

RUBBER MOLDED

UNDERWATER ELECTRICAL DRY-MATE CONNECTORS

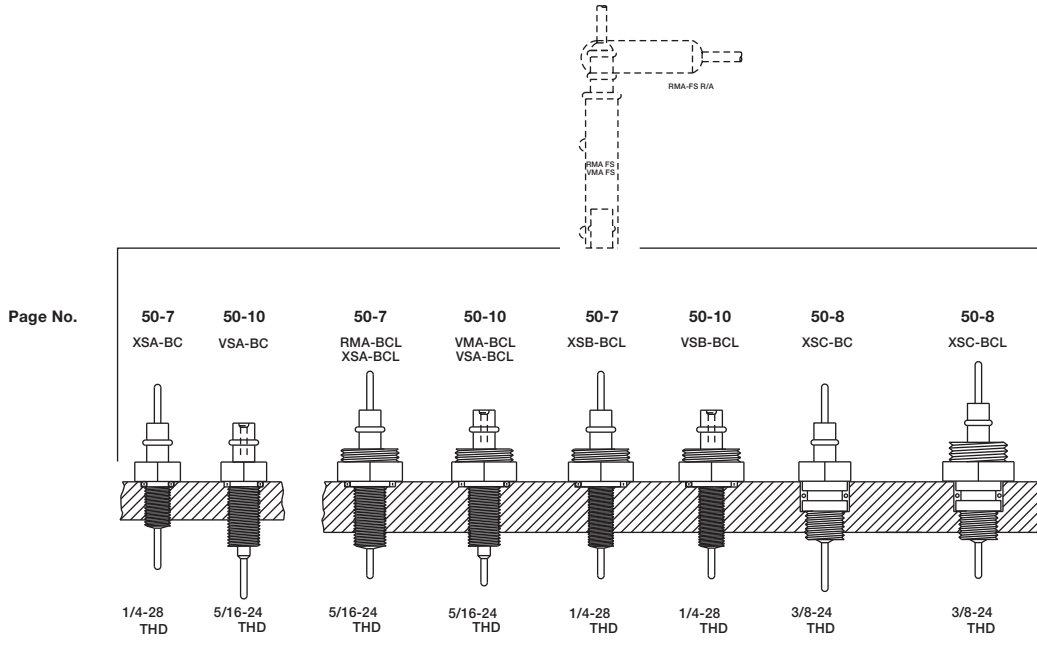


Table of Contents

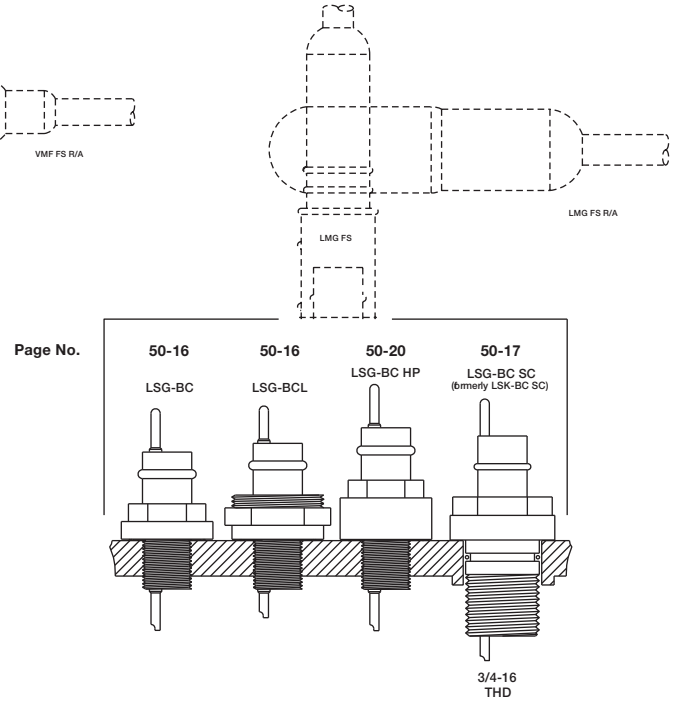
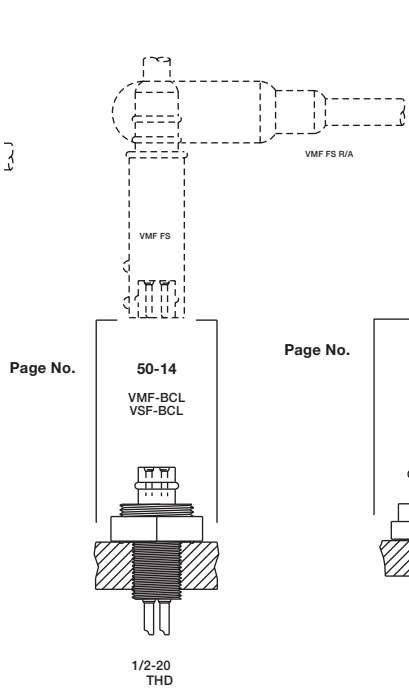
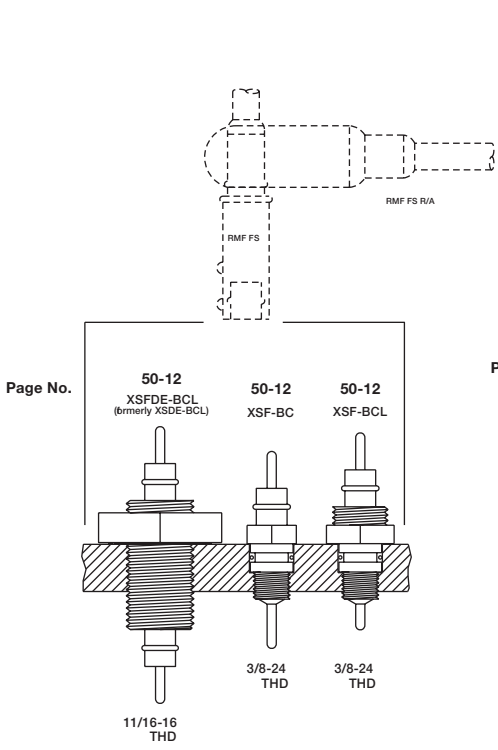
| | | | |
|--|--------------|--|--|
| Rubber Molded Bulkhead Connector Mates | 50-A | | |
| Introduction | 50-1 | | |
| General Information | 50-2 | | |
| Maintenance Procedures | 50-3 | | |
| Typical Right Angle and Straight Connector Indexing ... | 50-4 | | |
| Typical Mated Assembly and Options | 50-5 | | |
| RMA-FS and Associated Parts | 50-6 | | |
| RMA-MP | 50-6 | | |
| RMA-FS | 50-6 | | |
| RMA-FS R/A | 50-6 | | |
| RMA-MP-SL | 50-6 | | |
| RMA-FS-SL | 50-6 | | |
| RMA-FSD | 50-6 | | |
| RMA-MPD-LP | 50-6 | | |
| RMA-MPD-HP | 50-6 | | |
| RMA-BCL | 50-7 | | |
| XSA-BC | 50-7 | | |
| XSA-BCL | 50-7 | | |
| XSB-BCL | 50-7 | | |
| XSC-BC | 50-8 | | |
| XSC-BCL | 50-8 | | |
| VMA-FS and Associated Parts | 50-9 | | |
| VMA-MP | 50-9 | | |
| VMA-FS | 50-9 | | |
| VMA-FS R/A | 50-9 | | |
| VMA-MP-SL | 50-9 | | |
| VMA-FS-SL | 50-9 | | |
| VMA-FSD-LP | 50-9 | | |
| VMA-FSD-HP | 50-9 | | |
| VMA-MPD | 50-9 | | |
| VMA-BCL | 50-10 | | |
| VSA-BC | 50-10 | | |
| VSA-BCL | 50-10 | | |
| VSB-BCL | 50-10 | | |
| RMF-FS and Associated Parts | 50-11 | | |
| RMF-MP | 50-11 | | |
| RMF-FS | 50-11 | | |
| RMF-FS R/A | 50-11 | | |
| RMF-FSD | 50-11 | | |
| RMF-MPD-HP | 50-11 | | |
| RMF-MPD-LP | 50-11 | | |
| XSF-BC | 50-12 | | |
| XSF-BCL | 50-12 | | |
| XSFDE-BCL | 50-12 | | |
| VMF-FS and Associated Parts | 50-13 | | |
| VMF-MP | 50-13 | | |
| VMF-FS | 50-13 | | |
| VMF-FS R/A | 50-13 | | |
| VMF-FSD-HP | 50-13 | | |
| VMF-FSD-LP | 50-13 | | |
| VMF-MPD | 50-13 | | |
| VMF-BCL | 50-14 | | |
| VSF-BCL | 50-14 | | |
| LMG-FS and Associated Parts | 50-15 | | |
| LMG-MP | 50-15 | | |
| LMG-FS | 50-15 | | |
| LMG-FS R/A | 50-15 | | |
| LMG-FSD | 50-15 | | |
| LMG-MPD-LP | 50-15 | | |
| LMG-MPD-HP | 50-15 | | |
| LSG-BC | 50-16 | | |
| LSG-BCL | 50-16 | | |
| LSG-BC-SC | 50-17 | | |
| LSG-BC-HP | 50-18 | | |
| RMG-FS and Associated Parts | 50-19 | | |
| RMG-MP | 50-19 | | |
| RMG-FS | 50-19 | | |
| RMG-FS R/A | 50-19 | | |
| RMG-FS WOC | 50-19 | | |
| RMG-MP WOC | 50-19 | | |
| RMG-FSD | 50-19 | | |
| RMG-MPD | 50-19 | | |
| RMG-BCL | 50-20 | | |
| XSG-BCL | 50-20 | | |
| XSG-BCL-P-R/A | 50-20 | | |
| XSG-PBC | 50-21 | | |
| XSG-PBCL | 50-21 | | |
| XSG-PBCLM | 50-21 | | |
| RMGS-BC | 50-22 | | |
| RMGS-BCL | 50-22 | | |
| VMG-FS and Associated Parts | 50-23 | | |
| VMG-MP | 50-23 | | |
| VMG-FS | 50-23 | | |
| VMG-FS R/A | 50-23 | | |
| VMG-FS WOC | 50-23 | | |
| VMG-MP WOC | 50-23 | | |
| VMG-FSD | 50-23 | | |
| VMG-MPD | 50-23 | | |
| VMG-BCL | 50-24 | | |
| VSG-BCL | 50-24 | | |
| VSG-PBC | 50-24 | | |
| VSG-PBCL | 50-25 | | |
| VSG-PBCLM | 50-25 | | |
| RMK-FS and Associated Parts | 50-26 | | |
| RMK-MP | 50-26 | | |
| RMK-FS | 50-26 | | |
| RMK-FS R/A | 50-26 | | |
| RMK-FS WOC | 50-26 | | |
| RMK-MP WOC | 50-26 | | |
| RMK-FSD | 50-26 | | |
| RMK-MPD | 50-26 | | |
| RMK-BCL | 50-27 | | |
| XSK-BCL | 50-27 | | |
| XSK-DEBCL | 50-27 | | |
| VMK-FS and Associated Parts | 50-28 | | |
| VMK-MP | 50-28 | | |
| VMK-FS | 50-28 | | |
| VMK-FS R/A | 50-28 | | |
| VMK-FS WOC | 50-28 | | |
| VMK-MP WOC | 50-28 | | |
| VMK-FSD | 50-28 | | |
| VMK-MPD | 50-28 | | |
| VMK-BCL | 50-29 | | |
| VSK-BCL | 50-29 | | |
| Special Assemblies | 50-30 | | |
| Locking Sleeves | 50-31 | | |
| A-FLS-D | 50-32 | | |
| A-MLS-D | 50-32 | | |
| F-FLS-D | 50-32 | | |
| F-MLS-D | 50-32 | | |
| VSF-FLS-D | 50-32 | | |
| VSF-MLS-D | 50-32 | | |
| G-FLS-D | 50-32 | | |
| G-MLS-D | 50-32 | | |
| G-FLS-S | 50-32 | | |
| G-MLS-S | 50-32 | | |
| G-FLS-X | 50-32 | | |
| G-MLS-D | 50-32 | | |
| K-FLS-D | 50-32 | | |
| K-MLS-D | 50-32 | | |
| K-FLS-S | 50-32 | | |
| K-MLS-S | 50-32 | | |
| K-FLS-X | 50-32 | | |
| K-MLS-D | 50-32 | | |
| Rubber Molded Quick Reference Mating Table | 50-33 | | |

RUBBER MOLDED BULKHEAD CONNECTOR MATES **SEACON**

VISUAL INDEX



NOTE: Torque values referenced in this literature assume installation into dry metal threads. Please contact the factory for recommendations.



NOTE:
LSG-3-BC: 1/2-20
LSG-4-BC: 9/16-18
LSG-6-BC: 9/16-18

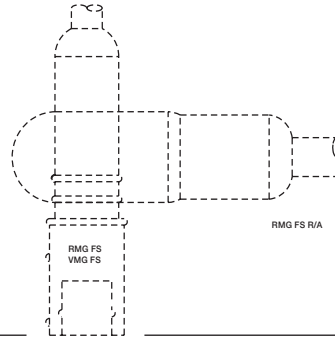
NOTE:
LSG-3-BCL: 1/2-20
LSG-4-BCL: 9/16-18
LSG-6-BCL: 9/16-18

NOTE:
LSG-3-BC HP: 1/2-20
LSG-4-BC HP: 9/16-18
LSG-6-BC HP: 9/16-18

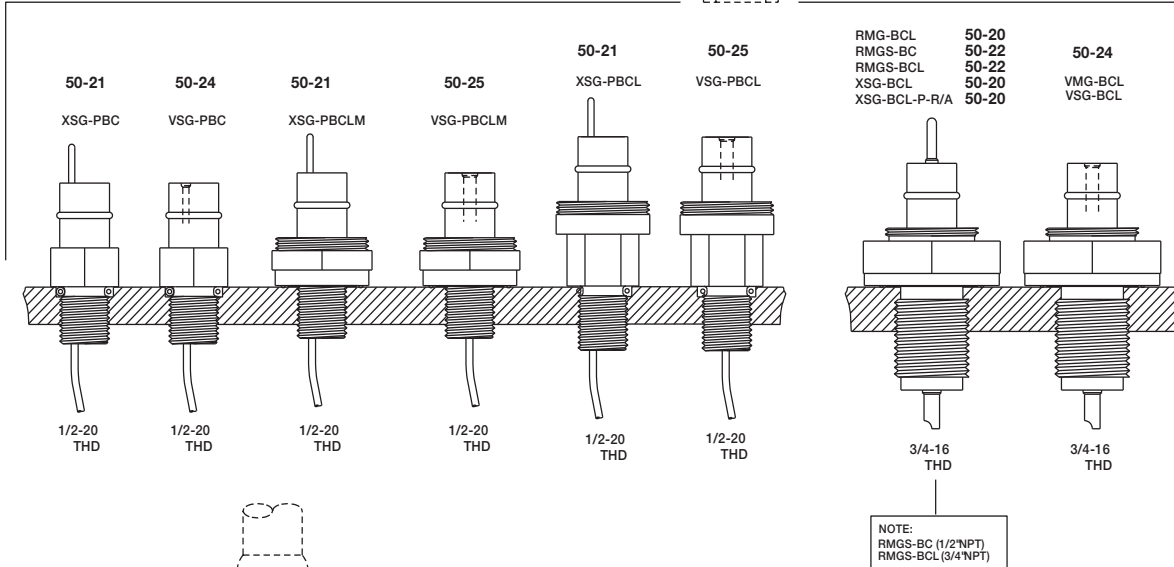


RUBBER MOLDED BULKHEAD CONNECTOR MATES **SEACON**

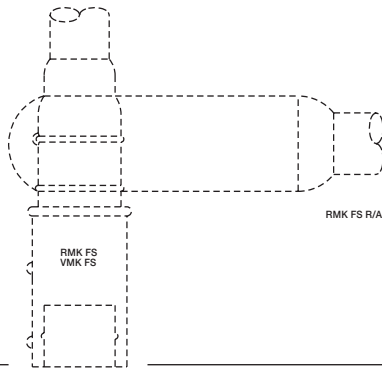
VISUAL INDEX



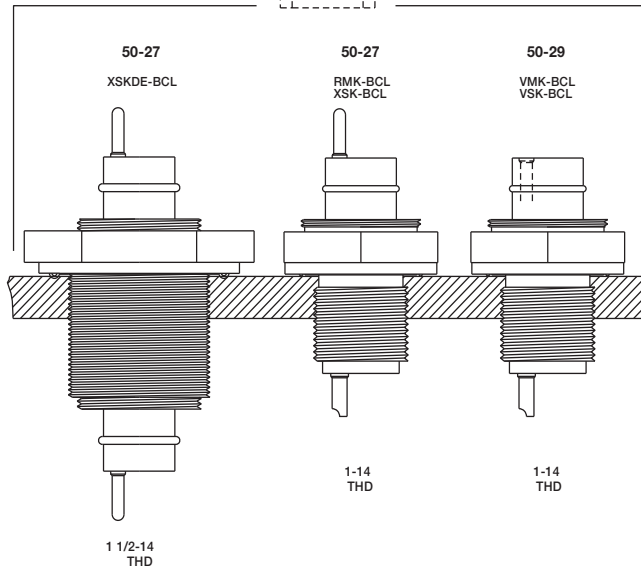
Page No.



NOTE: Torque values referenced in this literature assume installation into dry metal threads. Please contact the factory for recommendations.



Page No.



INTRODUCTION



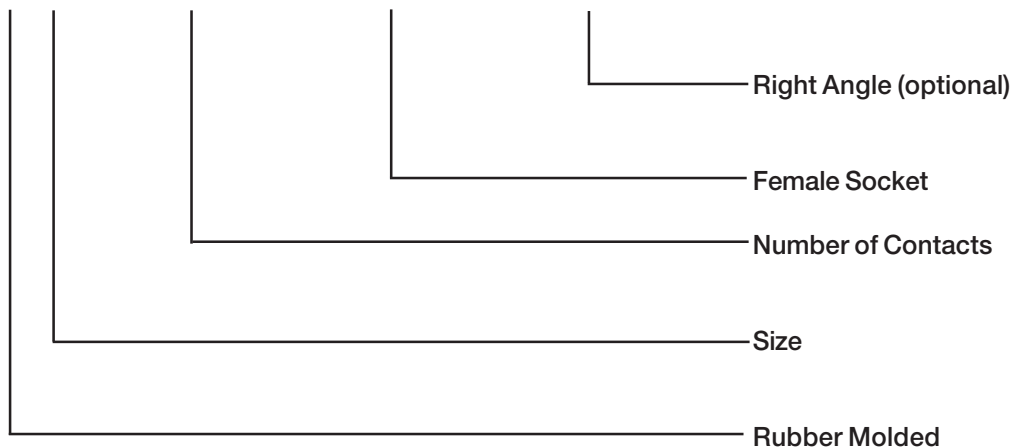
Our standard rubber molded series typically consists of an in-line female neoprene connector mated to a glass reinforced epoxy (XS) bulkhead connector. Various sizes are available ranging from single contact connectors up through 12 contact connectors. Most are available with pins and sockets reversed to help prevent mismatching of connectors, which otherwise look identical. This also allows for socket type contacts in a connector where there is a possibility of a "power-on" situation. Many of the bulkhead type connectors are available in 316 Stainless Steel, and can also be manufactured of any of the exotic metals. Male in-line connectors round out the series allowing for in-line mated sets not requiring bulkhead penetration. In addition, the WOC (without cable) type connectors allow for field installation in the event that a connector is damaged while at sea and needs replacing, or for long cable lengths that make cable transportation cost prohibitive.

The time proven rubber molded series is one of our most inexpensive lines and has been used on all types of underwater instrumentation including: underwater lighting, communications, ROV's, thermistor arrays, hydrophone arrays, and all types of sonar systems. The contacts are gold plated per ASTM-B-488 and the series is rated up to 20,000 psi in a mated condition.

PART NUMBERING SYSTEM

CONNECTORS

RM G - 6 - FS - R/A



In-Line Connectors

| | |
|-----|-------------------------------|
| LM | Rubber Molded-Special Version |
| RM | Rubber Molded |
| VM | Reversed Rubber Molded |
| FS | Female Socket |
| FSD | Female Socket Dummy |
| MP | Male Plug |
| MPD | Male Plug Dummy |
| FI | Field Installable |
| HP | High Pressure |
| LP | Low Pressure |
| SL | Slip-on Series |
| WOC | Without Cable |

Bulkhead Connectors

| | |
|-----|--|
| LS | Glass Reinforced Epoxy- <i>Special Version</i> |
| RM | Metal Shell |
| VM | Reversed Metal Shell |
| VS | Reversed Glass Reinforced Epoxy |
| XS | Glass Reinforced Epoxy |
| BC | Bulkhead Connector |
| BCL | BC w/Locking Thread |
| C | COAX |
| DE | Double Ended |
| HP | High Pressure |
| IDC | Inboard Disconnect |
| P | Pigtails |

| | |
|-----|--------------------|
| R/A | Right Angle |
| SC | Solder Cup |
| TH | Thermistor Housing |

GENERAL INFORMATION

RUBBER MOLDED AND ASSOCIATED SERIES



APPLICATIONS:

Standard, Reversed Rubber Molded Series

- Applications requiring light to medium ruggedness
- Hazardous environments
- Field installable applications

Glass Reinforced Epoxy Series

- Applications requiring medium ruggedness
- Hazardous environments
- Power transmission
- Signal telemetry

Metal Shell Series

- Applications requiring heavy ruggedness
- Hazardous, rugged environments
- Power transmission
- Signal telemetry

CABLE:

Rubber Molded Series

Connector's power capability may be limited by amperage and voltage rating of cable to which it is molded to. With the exception of field installable connectors, the in-line series are provided on a standard 18" length of 18 AWG SO cable unless otherwise specified.

Glass Reinforced Epoxy Series & Metal Shell Series

Connector's power capability may be limited by amperage and voltage rating of pigtails. Customer must specify if pigtails are to be applied.

NOTE: Torque values referenced in this literature assume installation into dry metal threads. Please contact the factory for recommendations.

MAINTENANCE PROCEDURES

CONNECTORS



MAINTENANCE

The following procedures detail the maintenance requirements for the Rubber Molded Series and their associated parts. Even though this procedure appears simple, only qualified technicians should perform the maintenance. If connectors are periodically unmated SEA CON® recommends the following:

1. Before unmating ensure connectors are free of foreign contaminants. Visually check for and note any damage or abnormalities.
2. After unmating visually check for and note any damage, cuts or abnormalities.
3. Clean any grease, moisture or foreign particles from connectors and sealing surface area.
4. In the event the internal contact surfaces are dirty or have been exposed to water, the connector should be flushed with distilled or deionized water and thoroughly dried.
5. The surface should be dried using a low pressure (15 - 25 psi) gas stream of dry nitrogen or filtered compressed air (dry nitrogen is preferred). This drying procedure ensures the removal of any small foreign particles.
6. Electrically test the connector in accordance with the parameters of the system.
7. Apply a thin film of an appropriate silicone grease or spray to the sealing surface. Cover/protect connector from foreign contaminants until ready to mate.

INSTALLATION & TORQUE OPERATIONS

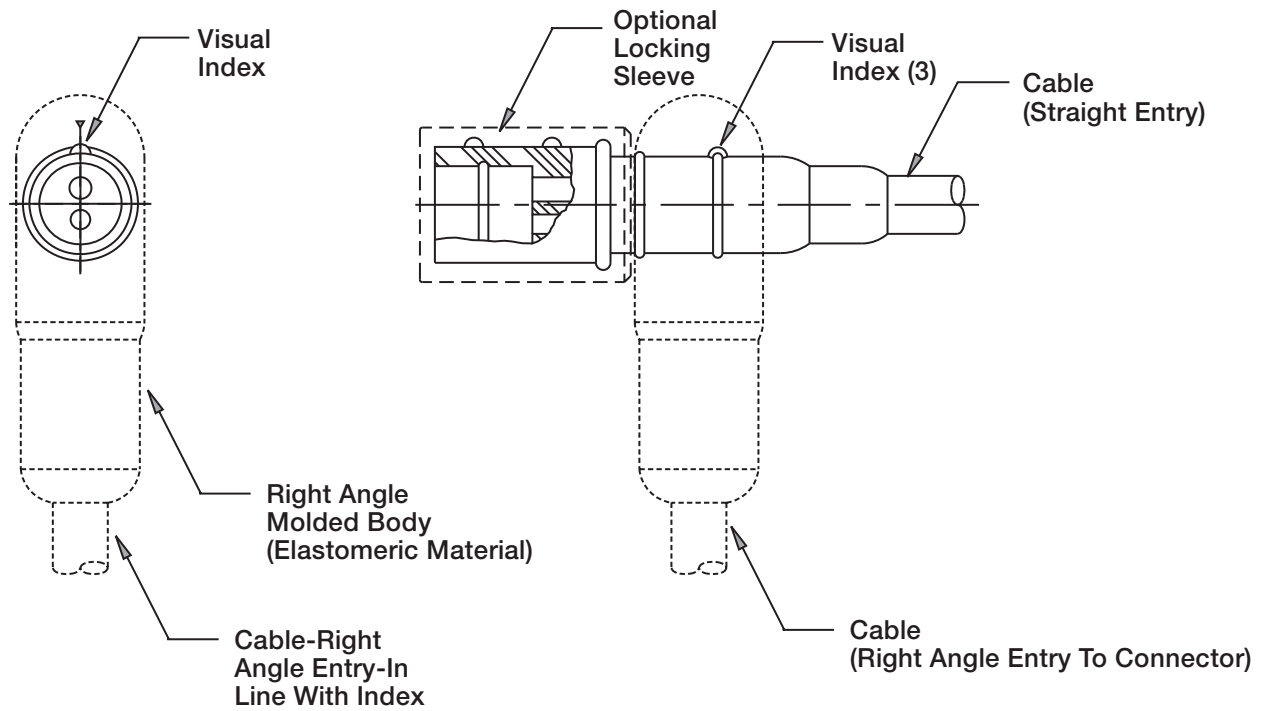
1. Only qualified technicians should perform installation and torquing operations.
2. *Torque values specified apply only when connector is installed in a metal housing.
3. Torque values listed are maximum values not to be exceeded.
4. Locking sleeves are finger/hand tightened only.

**Torque values are noted with actual part and can be found in pages to follow.*

NOTE: Torque values referenced in this literature assume installation into dry metal threads. Please contact the factory for recommendations.

RUBBER MOLDED SERIES

TYPICAL RIGHT ANGLE AND STRAIGHT CONNECTOR INDEXING



In the case of right angle connectors, the cable is always perpendicular to the index, as shown

RUBBER MOLDED SERIES TYPICAL MATED ASSEMBLY AND OPTIONS

CABLE

Neoprene outer jacket supplied on our standard cables

RUBBER MOLDED CONNECTOR

OPTIONAL LOCKING SLEEVE (long)
For use with straight connectors only. This long type of locking sleeve helps to eliminate conductor breakage at termination joint by eliminating flexing at joint area.

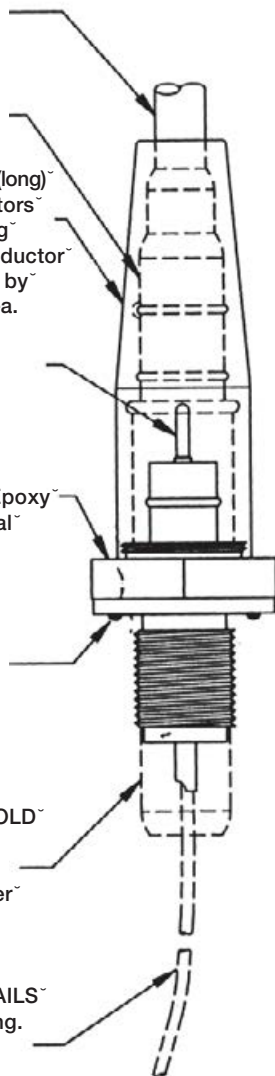
ELECTRICAL CONTACTS
copper alloy, hard gold plated per ASTM-B-488.

BULKHEAD CONNECTORS
Material -Glass Reinforced Epoxy eliminates all dissimilar metal problems

O-RING
Buna N, 70 Durometer is standard. O-Rings supplied with all connectors. All O-Rings must be lubricated with a thin film of silicon or DC grease.

OPTIONAL WATER. TIGHT MOLD
Polyurethane usually used; neoprene optional (molded)
To specify pigtails add.P after connector callout.

OPTIONAL INDIVIDUAL PIGTAILS
1/8" dia. 18" Long. Longer lengths available



CABLE

Or solid rubber for dummy

RUBBER MOLDED CONNECTOR

RIGHT ANGLE CONNECTOR

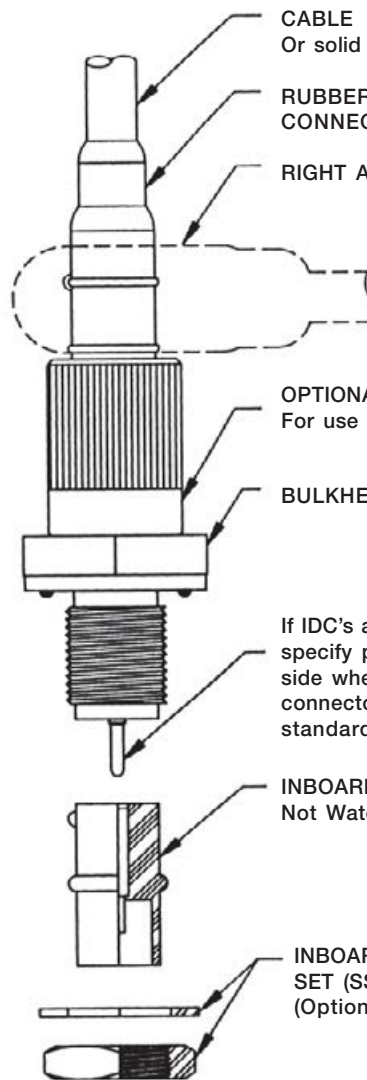
OPTIONAL LOCKING SLEEVE
For use with straight or right

BULKHEAD CONNECTORS

If IDC's are intended for use specify pins on low pressure side when ordering bulkhead connectors. Solder pots are standard.

INBOARD DISCONNECT (IDC)
Not Water Tight (Optional)

INBOARD NUT & WASHER SET (SST)
(Optional)

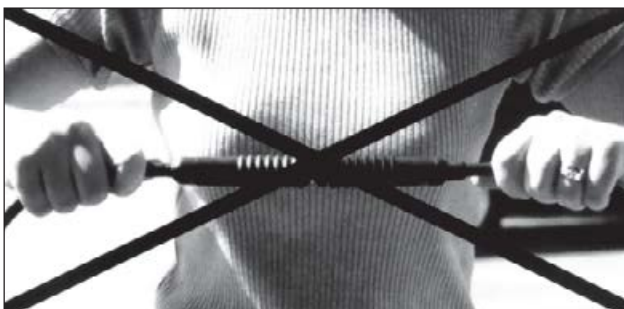


NOTE: Torque values referenced in this literature assume installation into dry metal threads. Please contact the factory for recommendations.

MATING

To ensure that the connectors are not damaged during mating/unmating, it is important to practice proper connect and disconnect procedures.

INCORRECT



CORRECT



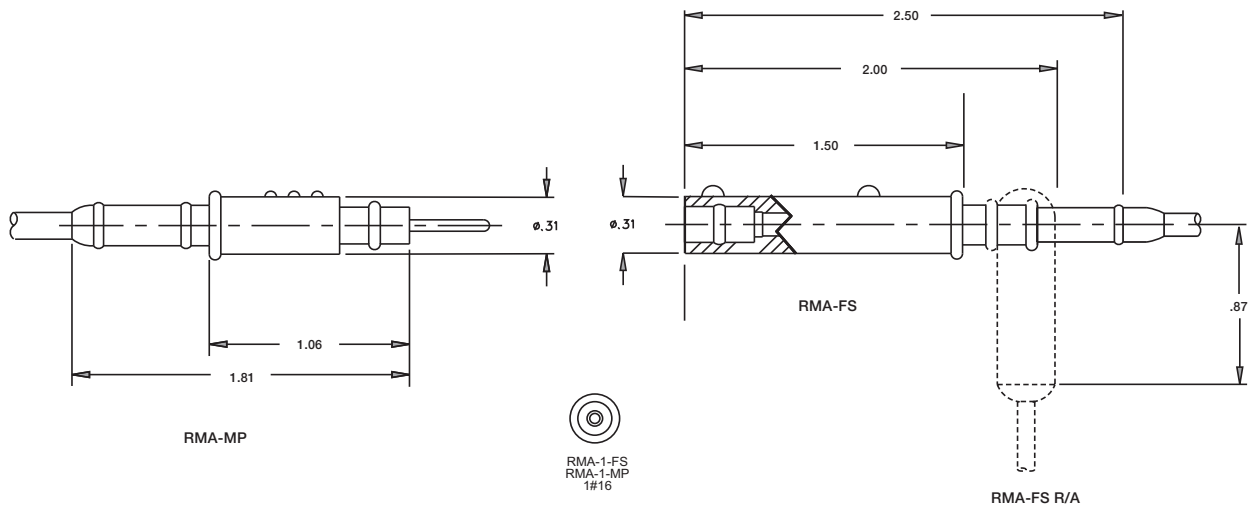
RMA-FS AND ASSOCIATED PARTS

STANDARD RUBBER MOLDED



IN-LINE SERIES

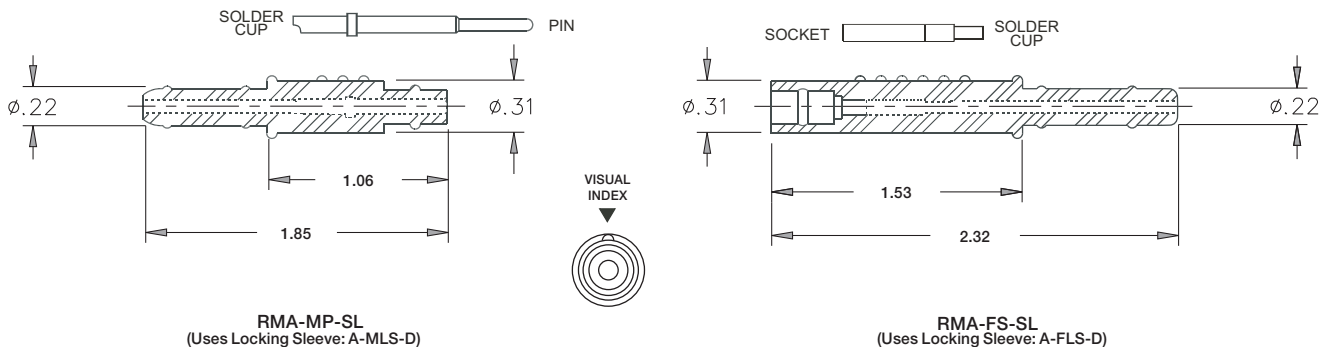
Material: Special Neoprene, molded
 Contacts: Copper Alloy, Hard Gold Plated per ASTM B488
 Cable: 1 N 2
 Voltage Rating: 600 VDC-*contact factory for higher voltage requirements*
 Pressure Rating, Mated: up to 20,000 psi



SLIP-ON SERIES

Notes: Specify exact wire diameter when ordering. Maximum wire DIA=0.09 inch

Material: Special Neoprene, molded
 Contacts: Brass, Hard Gold Plated per ASTM-B-488
 Voltage Rating: 600 VDC-*contact factory for higher voltage requirements*
 Pressure Rating, Mated: up to 20,000 PSI



LOCKING SLEEVES

A-MLS-D (AVAILABLE FOR RMA-MP)
 A-FLS-D (AVAILABLE FOR RMA-FS, RMA-FS-R/A)

DUMMY CONNECTORS

RMA-FSD MATES TO RMA-MP
 RMA-MPD-LP/HP TO RMA-FS & RMA-FS-R/A
 Material: Special Neoprene, molded
 Pressure Rating, Mated:
 RMA-FSD (20,000PSI)
 RMA-MPD-LP ($\leq 4,000$ PSI)
 RMA-MPD-HP (4,000 – 20,000 PSI) Male Contact Required

RMA-FS AND ASSOCIATED PARTS

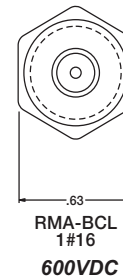
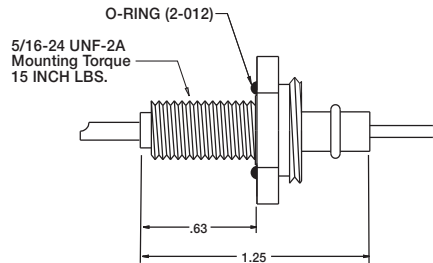
MATEABLE BULKHEAD CONNECTORS



BULKHEAD CONNECTORS & MOUNTING REQUIREMENT
 (MATES TO RMA-FS & RMA-FS-R/A & RMA FS SL)
 Dummy Connector: RMF FSD

Part Name: **RMA-BCL**

Material: 316 Stainless St., Internal Insulation-Special Neoprene
 Contacts: Copper Alloy, Hard Gold Plated per ASTM-B-488
 Pressure Rating, Mated: up to 20,000 psi

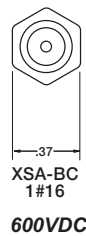
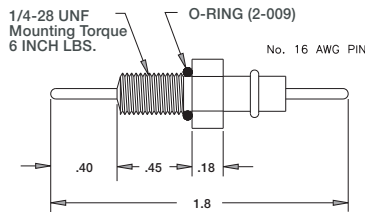


RMA-BCL; Special insulating neoprene is compression molded to the metal body forming a reliable seal. The metal body can be made of stainless steel, aluminum or other metals.

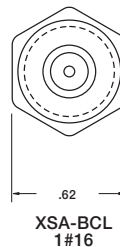
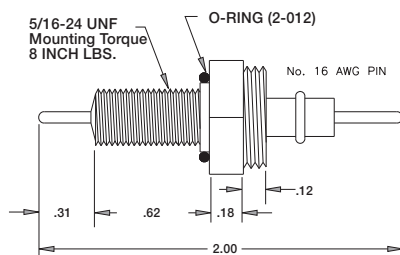
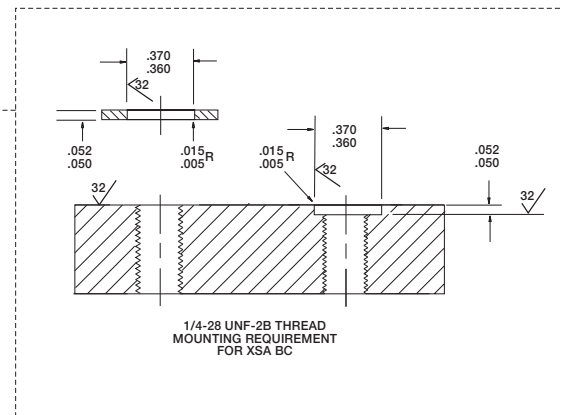
This Connector utilizes a facial o-ring seal to the bulkhead.

Part Name: **XSA-BC**

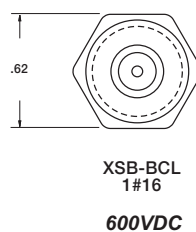
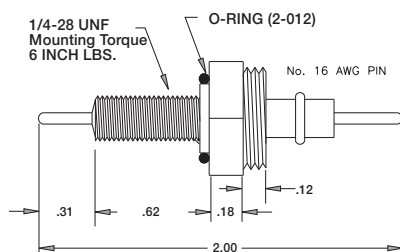
Material: Glass Reinforced Epoxy
 Contacts: Copper Alloy, Hard Gold Plated per ASTM-B-488
 Pressure Rating, Mated: up to 20,000 psi



XSA-BC; The smallest standard connector in our non-metallic series, features an o-ring in the thread relief area. Available in single contact.



XSA-BCL; These are miniature, single contact connectors which feature a locking sleeve provision. The o-ring is located on a step under the hex and seals by flush mounting to the bulkhead. Same Material and Pressure as XSA-BC.



XSB-BCL; A miniature connector body very similar to the XSA BCL, but utilizes a smaller installation thread. The small thread size requires care in installation to avoid damaging or cracking. The o-ring is located on a step under the hex and seals by flush mounting to the bulkhead. Same Material and Pressure as XSA-BC.

NOTE: Torque values referenced in this literature assume installation into dry metal threads. Please contact the factory for recommendations.



RMA-FS AND ASSOCIATED PARTS

MATEABLE BULKHEAD CONNECTORS



BULKHEAD CONNECTORS & MOUNTING REQUIREMENT (MATES TO RMA-FS & RMA-FS-R/A & RMA FS SL) Dummy connector RMA FSD

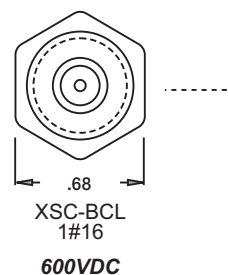
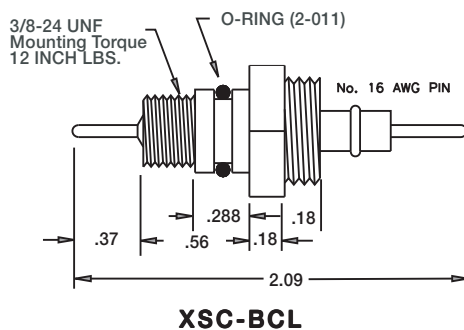
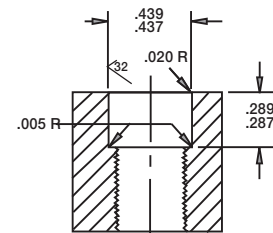
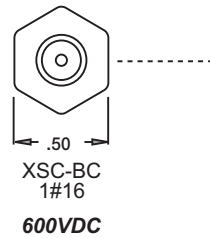
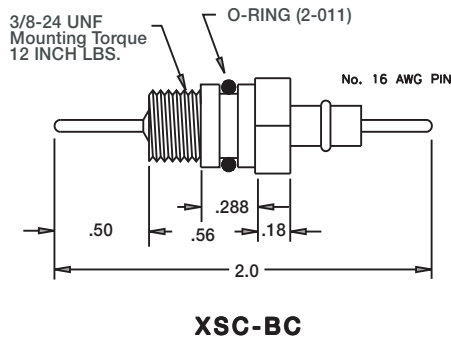
Part Names: **XSC-BC, XSC-BCL**

Material: Glass Reinforced Epoxy

Contacts: Copper Alloy, Hard Gold Plated per ASTM-B-488

Pressure Rating, Mated: up to 10,000 psi

XSC-BC, XSC-BCL; These connectors feature a radial type o-ring seal, good for up to 10,000 PSI, mated. Available only in single contact.



NOTE: Torque values referenced in this literature assume installation into dry metal threads. Please contact the factory for recommendations.

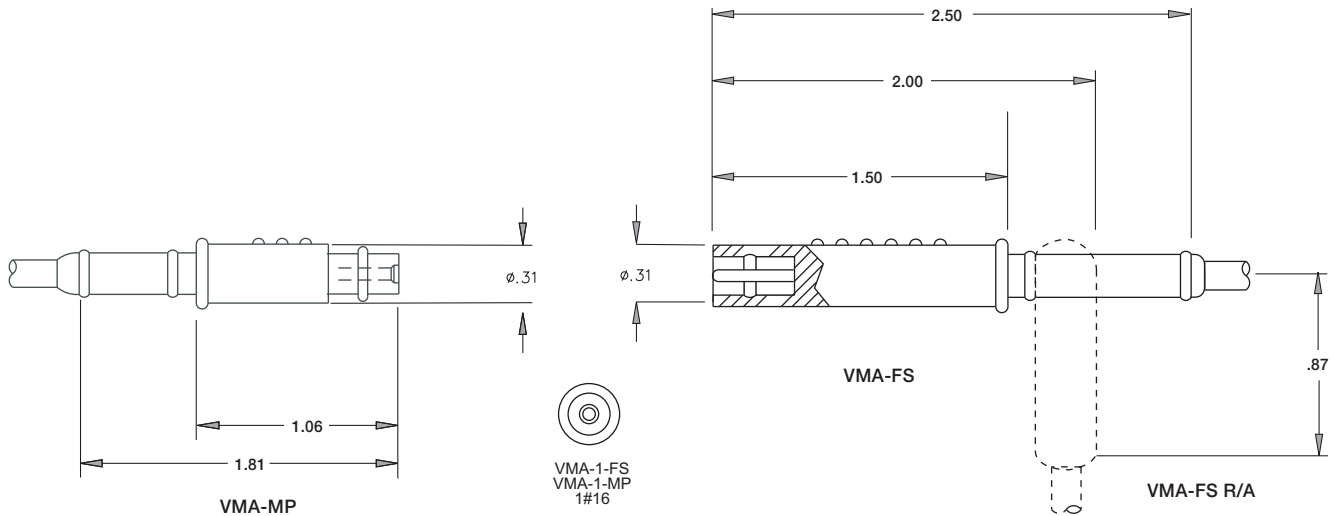
VMA-FS AND ASSOCIATED PARTS

REVERSED RUBBER MOLDED



IN-LINE SERIES

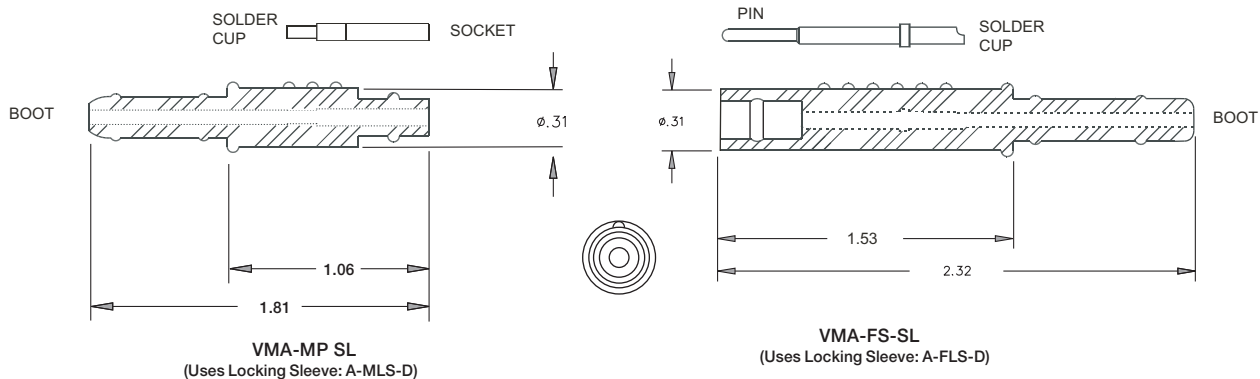
Material: Special Neoprene, Molded
 Contacts: Copper Alloy, Hard Gold Plated per ASTM-B-488
 Cable: 1 N 2
 Voltage Rating: 600 VDC-*contact factory for higher voltage requirements*
 Pressure Rating, Mated: up to 20,000 psi



SLIP-ON SERIES

Notes: Specify exact wire diameter when ordering. Maximum wire DIA=0.09 INCH

Material: Special Neoprene, Molded
 Contacts: Copper Alloy, Hard Gold Plated per ASTM-B-488
 Voltage Rating: 600 VDC-*contact factory for higher voltage requirements*
 Pressure Rating, Mated: up to 20,000 psi



LOCKING SLEEVES

A-MLS-D (AVAILABLE FOR VMA-MP)
 A-FLS-D (AVAILABLE FOR VMA-FS, VMA-FS-R/A)

DUMMY CONNECTORS

VMA-FSD-LP MATES TO VMA-MP
 VMA-FSD-HP MATES TO VMA-MP
 VMA-MPD MATES TO VMA-FS & VMA-FS-R/A
 Material: Special Neoprene, Molded
 Pressure Rating, Mated:
 VMA-FSD-LP \leq 4,000 PSI (CONNECTOR BODY W/O MALE PIN)
 VMA-FSD-HP 4,000 - 20,000PSI
 VMA-MPD 20,000 PSI



VMA-FS AND ASSOCIATED PARTS

MATEABLE BULKHEAD CONNECTORS



BULKHEAD CONNECTORS & MOUNTING REQUIREMENT

(MATES TO VMA-FS & VMA-FS-R/A & VMA-FS SL)

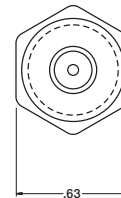
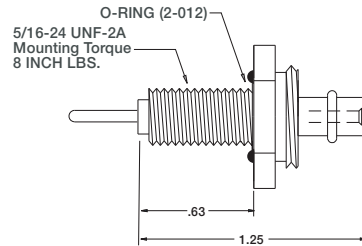
Dummy Connector: VMA-FS D HP or VMA FS D LP

Part Name: **VMA-BCL**

Material: 316 Stainless St., Internal Insulation-Special Neoprene

Contacts: Copper Alloy, Hard Gold Plated per ASTM-B-488

Pressure Rating, Mated: up to 20,000 psi



VMA-BCL
1#16
600VDC

VMA-BCL; Special insulating neoprene is compression molded to the metal body forming a reliable seal. The metal body can be made of stainless steel, aluminum or other metals. This connector utilizes a facial o-ring to seal to the bulkhead.

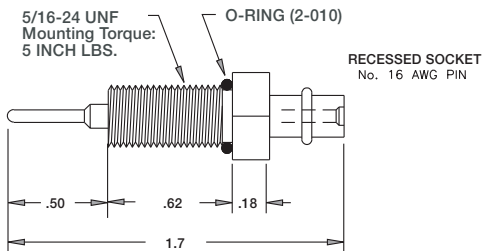
Part Names: **VSA-BC, VSA-BCL, VSB-BCL**

Material: Glass Reinforced Epoxy

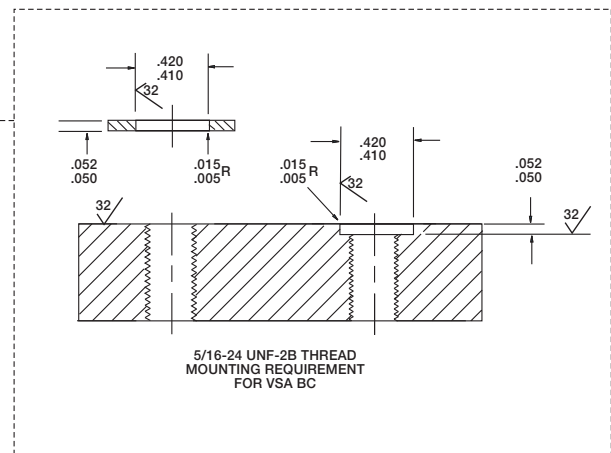
Contacts: Copper Alloy, Hard Gold Plated per ASTM-B-488

Pressure Rating, Mated: up to 20,000 psi

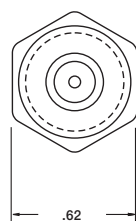
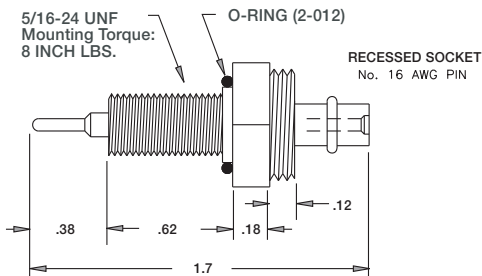
VSA-BC; The smallest standard connector in our non-metallic series, features an o-ring in the thread relief area. Available in single contact.



VSA-BC
1#16

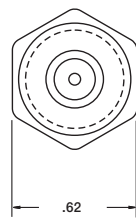
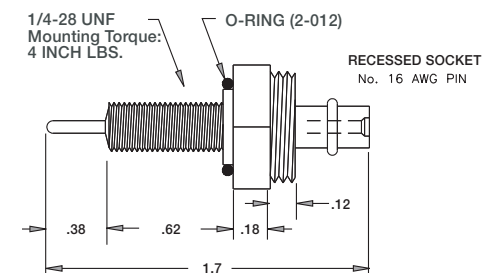


5/16-24 UNF-2B THREAD
MOUNTING REQUIREMENT
FOR VSA BC



VSA-BCL
1#16

VSA-BCL; Miniature single contact connectors which feature a locking sleeve provision. The o-ring is located on a step under the hex and seals by flush mounting to the bulkhead.



VSB-BCL
1#16

VSB-BCL; This is a miniature connector body very similar to the VSA-BCL, but utilizes a smaller installation thread. The small thread size requires care in installation to avoid damaging or cracking. The o-ring is located on a stop under the hex and seals by flush mounting to the bulkhead.

Note: Torque values referenced in this literature assume installation into dry metal threads. Please contact the factory for recommendations.

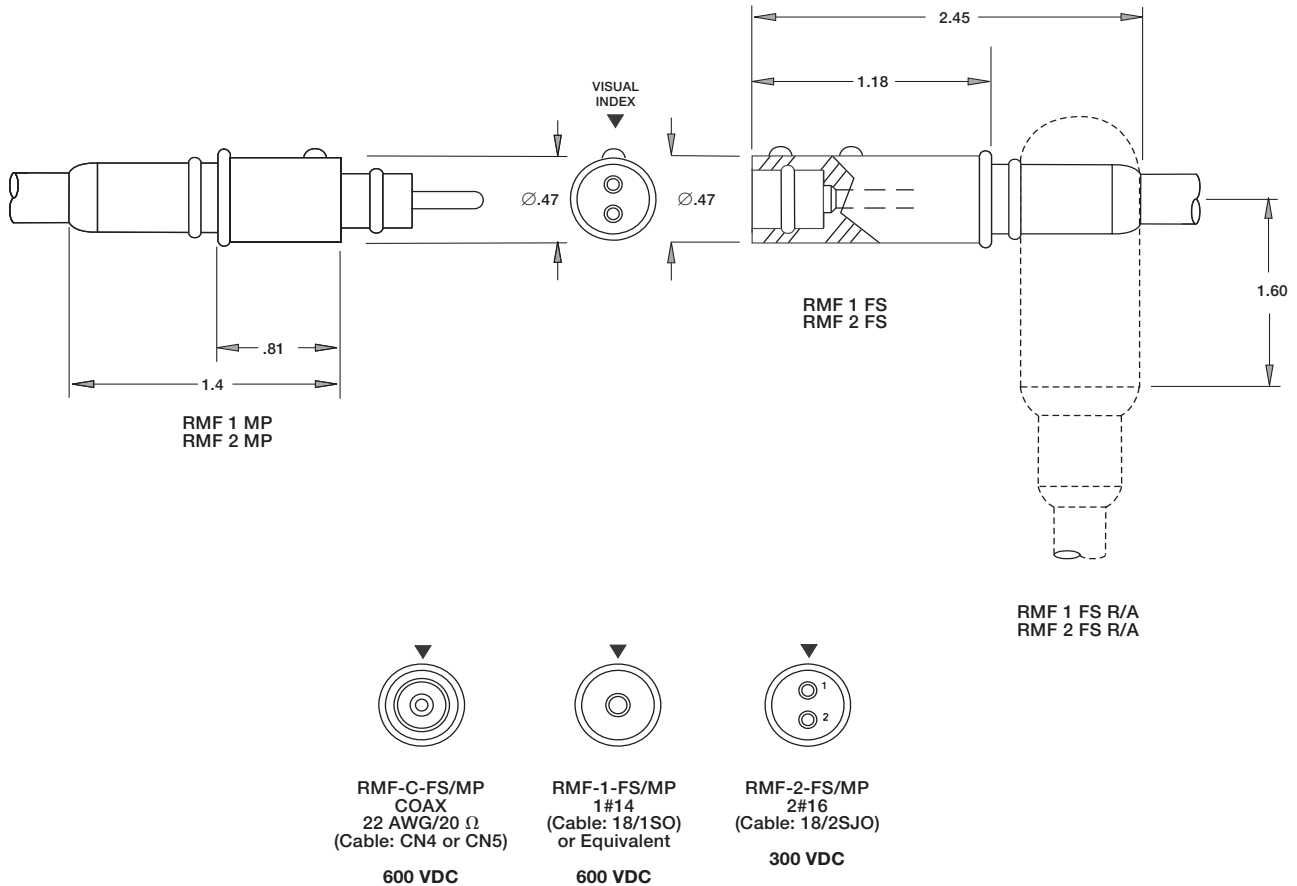
RMF-FS AND ASSOCIATED PARTS

STANDARD RUBBER MOLDED



IN-LINE SERIES

Material: Special Neoprene, Molded
 Contacts: Copper Alloy, Hard Gold Plated per ASTM-B-488
 See Specific Configuration for Voltage Rating
 Pressure Rating, Mated: up to 10,000 psi



LOCKING SLEEVES

F-MLS-D (AVAILABLE FOR RMF-MP)
 XSF-FLS-D (AVAILABLE FOR RMF-FS, RMF-FS-R/A)

DUMMY CONNECTORS

Note: Specify number of conductors when ordering

RMF-FSD MATES TO RMF-MP
 RMF-MPD-HP MATES TO RMF-FS & RMF-FS -R/A
 RMF-MPD-LP MATES TO RMF-FS & RMF-FS-R/A

Material: Special Neoprene, Molded
 Pressure Rating, Mated:
 RMF-FSD (10,000 PSI)
 RMF-MPD-HP (HIGH PRESSURE, 4,000 PSI-10,000 PSI, CONTACT REQUIRED)
 RMF-MPD-LP (LOW PRESSURE, ≤ 4,000 PSI, NO CONTACT REQUIRED)



RMF-FS AND ASSOCIATED PARTS

MATEABLE BULKHEAD CONNECTORS



BULKHEAD CONNECTORS & MOUNTING REQUIREMENT (MATES TO RMF-FS & RMF-FS-R/A & RMF FS WOC) Dummy Connector RMF-FSD

Part Names: **XSF-BC, XSF-BCL**

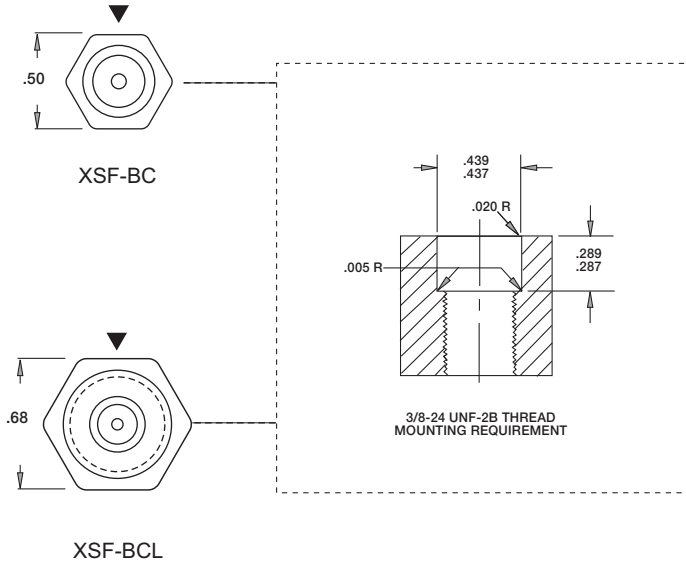
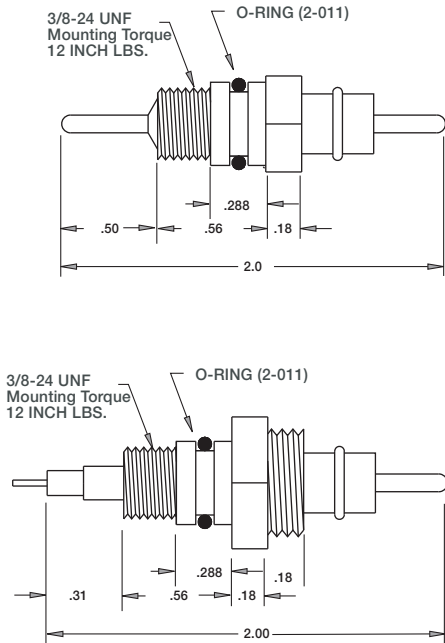
Material: Glass Reinforced Epoxy

Contacts: Copper Alloy, Hard Gold Plated per MIL-G-45204

Pressure Rating, Mated: up to 10,000 psi

XSF-BC; Features radial o-ring seal.

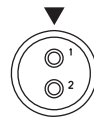
XSF-BCL; These connectors feature a locking sleeve provision and utilize a radial o-ring seal.



XSF-BC/BCL
COAX
#22 AWG/20 Ω



XSF-1-BC/BCL
1#14



XSF-2-BC/BCL
2#16

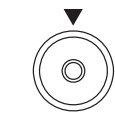
Part Name: **XSFDE-BCL**

Material: Glass Reinforced Epoxy

Contacts: Copper Alloy, Hard Gold Plated

Pressure Rating, Mated: up to 10,000 psi

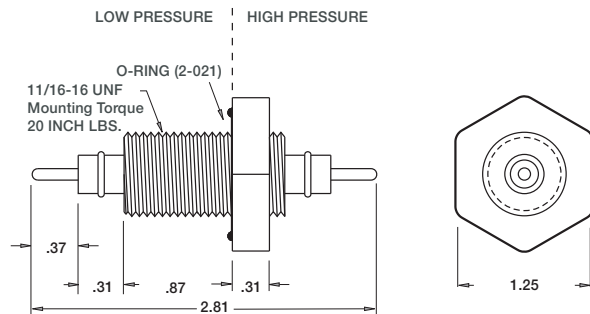
Description: A double-ended connector which accepts a mating connector on either end. The same locking sleeve also fits both ends. This connector utilizes a facial o-ring seal to the bulkhead.



XSF-1-BCLDE
1#14



XSF-2-BCLDE
2#16



XSFDE-BCL

NOTE: Torque values referenced in this literature assume installation into dry metal threads. Please contact the factory for recommendations.

(FORMERLY KNOWN AS XSDE-BCL)

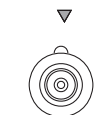
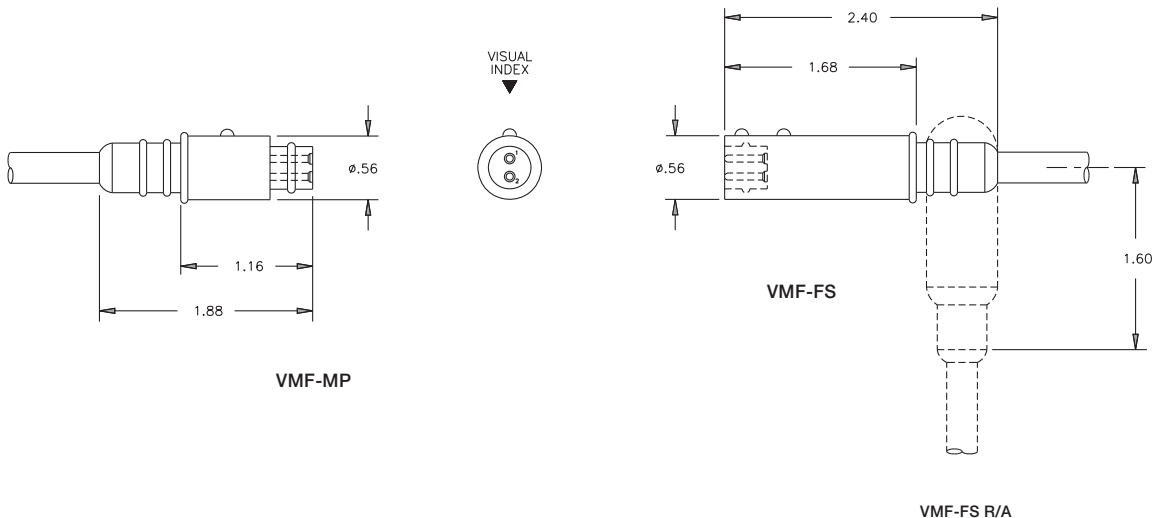
VMF-FS AND ASSOCIATED PARTS

REVERSED RUBBER MOLDED



IN-LINE SERIES

Material: Special Neoprene, Molded
 Contacts: Copper Alloy, Hard Gold Plated per ASTM-B-488
 Voltage Rating: See specific configuration
 Pressure Rating, Mated: up to 20,000 psi



VMF-C-FS
 600 VDC
 CABLE:
 CN4 or CN5



VMF-1-FS
 600 VDC
 CABLE:
 18/1SO or
 EQUIVALENT



VMF-2-FS
 300 VDC
 CABLE:
 18/2 SJO

LOCKING SLEEVES

VSF-MLS-D (AVAILABLE FOR VMF-MP)
 VSF-FLS-D (AVAILABLE FOR VMF-FS, VMF-FS-R/A)

DUMMY CONNECTORS

Note: Specify number of conductors when ordering

VMF-FSD-HP MATES TO VMF-MP
 VMF-FSD-LP MATES TO VMF-MP
 VMF-MPD MATES TO VMF-FS & VMF-FS -R/A

MATERIAL: SPECIAL NEOPRENE, MOLDED
 PRESSURE RATING, MATED:
 VMF-MPD 10,000 PSI
 VMF-FSD-HP (HIGH PRESSURE, 4,000-10,000 PSI CONTACT REQUIRED)
 VMF-FSD-LP (LOW PRESSURE, ≤ 4,000 PSI NO CONTACT REQUIRED)



VMF-FS AND ASSOCIATED PARTS

MATEABLE BULKHEAD CONNECTORS

BULKHEAD CONNECTORS

(MATES TO VMF-FS & VMF-FS-R/A & VMF FS WOC)

Dummy Connector: VMF-FSD

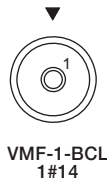
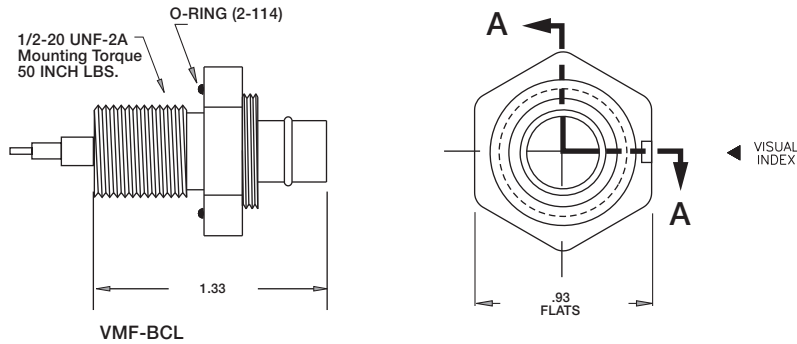
Part Name: **VMF-BCL**

Material: 316, Stainless Steel

Contacts: Copper Alloy, Hard Gold Plated per ASTM-B-488

Pressure Rating, Mated: up to 20,000 psi

VMF-BCL; Special insulating neoprene is permanently molded to the metal shell. These types of connectors are used where physical abuse would be too great for the non-metallic (glass reinforced epoxy) series.



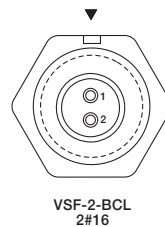
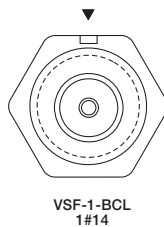
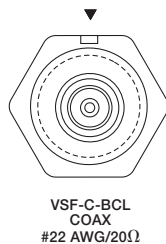
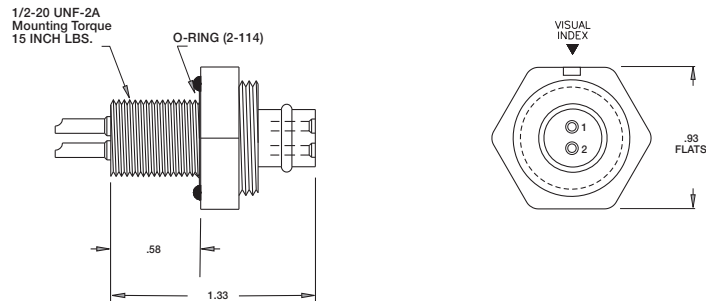
Part Name: **VSF-BCL**

Material: Glass Reinforced Epoxy

Contacts: Copper Alloy, Hard Gold Plated per ASTM-B-488

Pressure Rating, Mated: up to 20,000 psi

VSF-BCL; Available in coax, 1 and 2 contacts, features a facial o-ring seal to the bulkhead.



NOTE: Torque values referenced in this literature assume installation into dry metal threads. Please contact the factory for recommendations.

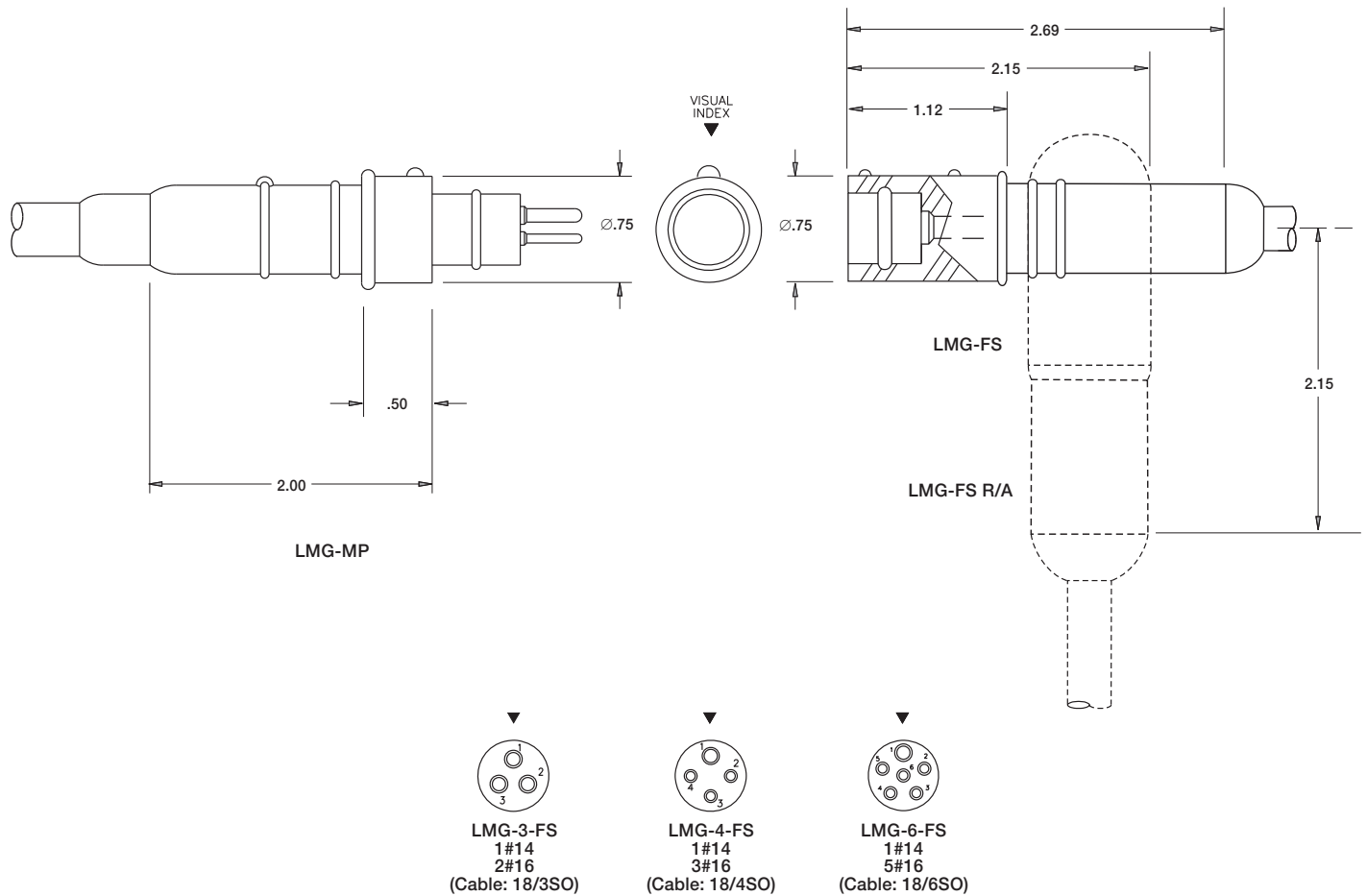
LMG-FS AND ASSOCIATED PARTS

STANDARD RUBBER MOLDED



IN-LINE SERIES

Material: Special Neoprene, Molded
 Contacts: Copper Alloy, Hard Gold Plated per ASTM-B-488
 Voltage Rating: 600 VDC-contact factory for higher voltage requirements
 Pressure Rating, Mated: up to 20,000 psi



LOCKING SLEEVES

G-MLS-D (AVAILABLE FOR LMG-MP)
 G-FLS-D (AVAILABLE FOR LMG-FS, LMG-FS-R/A)

DUMMY CONNECTORS

Note: Specify number of conductors when ordering

LMG-FSD MATES TO LMG-MP
 LMG-MPD LP/HP MATES TO LMG-FS & LMG-FS-R/A

MATERIAL: SPECIAL NEOPRENE, MOLDED
 PRESSURE RATING, MATED:
 LMG-FSD (20,000 PSI)
 LMG-MPD-HP (HIGH PRESSURE, 4,000 PSI-20,000 PSI, CONTACT REQUIRED)
 LMG-MPD-LP (LOW PRESSURE, ≤ 4,000 PSI NO CONTACT REQUIRED)



LMG-FS AND ASSOCIATED PARTS

MATEABLE BULKHEAD CONNECTORS



Part Name: **LSG-BC, LSG-BCL**

Mates to LMG-FS, LMG-FS R/A

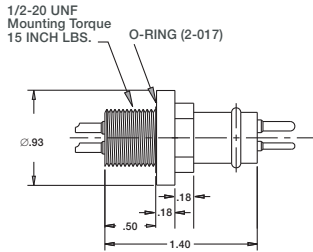
Dummy Connector - LMG-FS D

Material: Glass Reinforced Epoxy

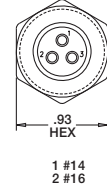
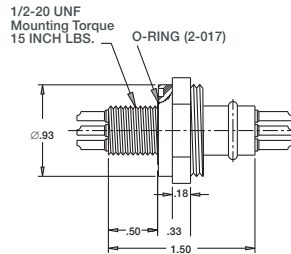
Contacts: Copper Alloy, Hard Gold Plated per ASTM-B-488

Pressure Rating, Mated: up to 3,000 psi

LSG-BC, LSG-BCL; These non-metallic connectors utilize a facial o-ring seal to the bulkhead. The LSG-BCL has a locking sleeve provision.

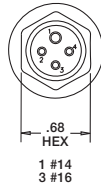
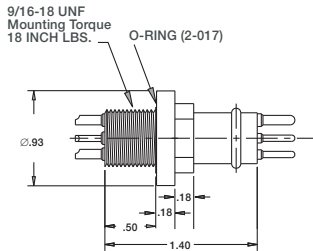


LSG-3-BC

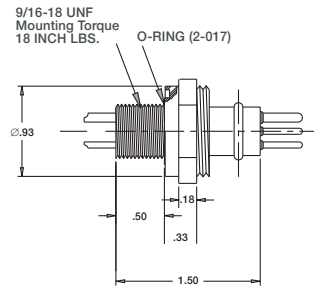


LSG-3-BCL

Note: Does not mate to RMG-FS or RMG-FS R/A

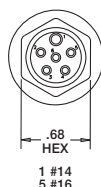
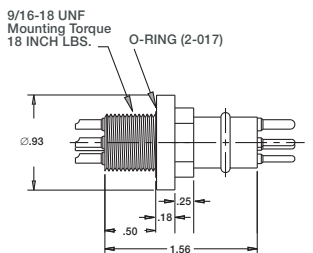


LSG-4-BC

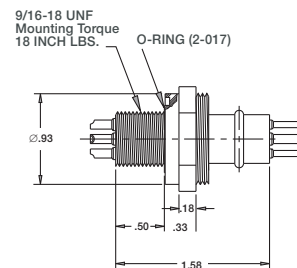


LSG-4-BCL

Note: Does not mate to RMG-FS or RMG-FS R/A



LSG-6-BC



LSG-6-BCL

Note: Also mates to RMG-FS and RMG-FS R/A

NOTE: Torque values referenced in this literature assume installation into dry metal threads. Please contact the factory for recommendations.

LMG-FS AND ASSOCIATED PARTS

MATEABLE BULKHEAD CONNECTORS



Part Name: **LSG-BC-SC (Formerly known as LSK-BC-SC)**

Mates to LMG-FS, LMG-FS R/A

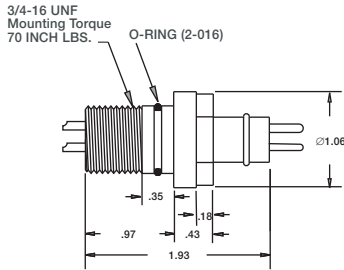
Dummy Connector: LMG-FSD

Material: Glass Reinforced Epoxy

Contacts: Copper Alloy, Hard Gold Plated per ASTM-B-488

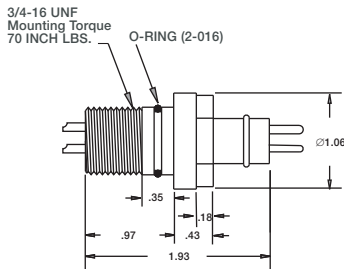
Pressure Rating, Mated: up to 5,000 psi

LSG-BC-SC; These non-metallic connectors utilize a radial o-ring seal to the bulkhead.



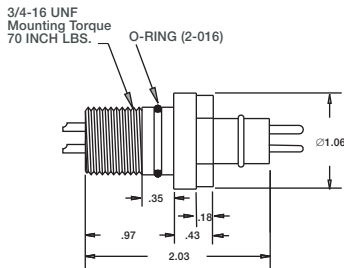
LSG-3-BC-SC

Note: Does not mate to RMG-FS or RMG-FS R/A.



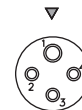
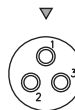
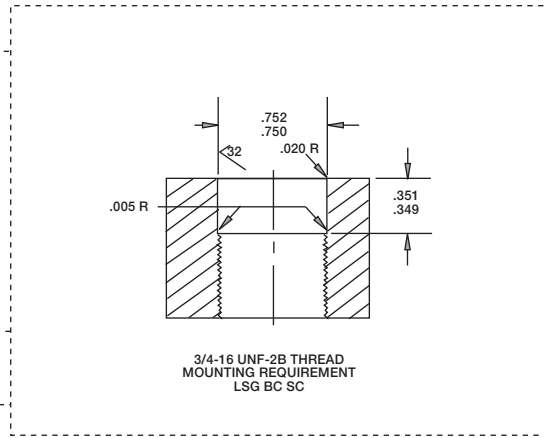
LSG-4-BC-SC

Note: Does not mate to RMG-FS or RMG-FS R/A.



LSG-6-BC-SC

Note: Also mates to RMG-FS and RMG-FS R/A.



LSG-3-BC-SC
1#14
2#16

LSG-4-BC-SC
1#14
3#16

LSG-6-BC-SC
1#14
5#16

NOTE: Torque values referenced in this literature assume installation into dry metal threads. Please contact the factory for recommendations.



LMG-FS AND ASSOCIATED PARTS

MATEABLE BULKHEAD CONNECTORS



BULKHEAD CONNECTORS

(MATES TO LMG FS & LMG-FS-R/A)

Dummy Connector: LMG-FSD

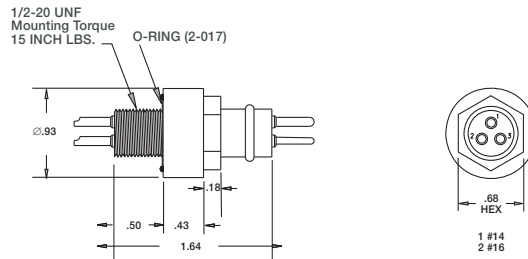
Part Name: **LSG-BC-HP**

Material: Glass Reinforced Epoxy

Contacts: Copper Alloy, Hard Gold Plated per ASTM-B-488

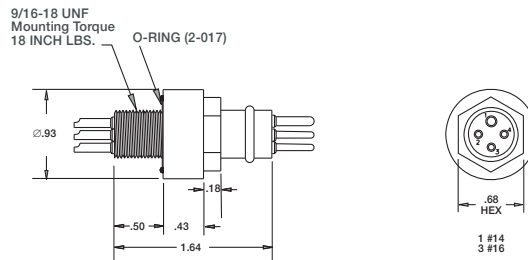
Pressure Rating, Mated: up to 10,000 psi

LSG-BC-HP; These non-metallic connectors feature a facial o-ring seal to the bulkhead.



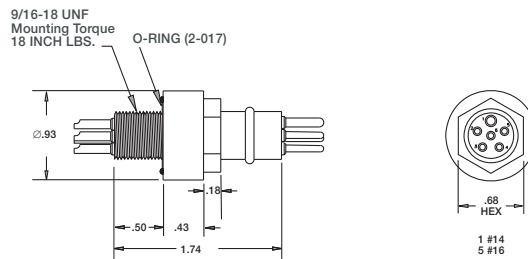
LSG-3-BC-HP

Note: Does not mate to RMG-FS or RMG-FS R/A



LSG-4-BC-HP

Note: Does not mate to RMG-FS or RMG-FS R/A



LSG-6-BC-HP

Note: Also mates to RMG-FS and RMG-FS R/A

NOTE: Torque values referenced in this literature assume installation into dry metal threads. Please contact the factory for recommendations.

RMG-FS AND ASSOCIATED PARTS

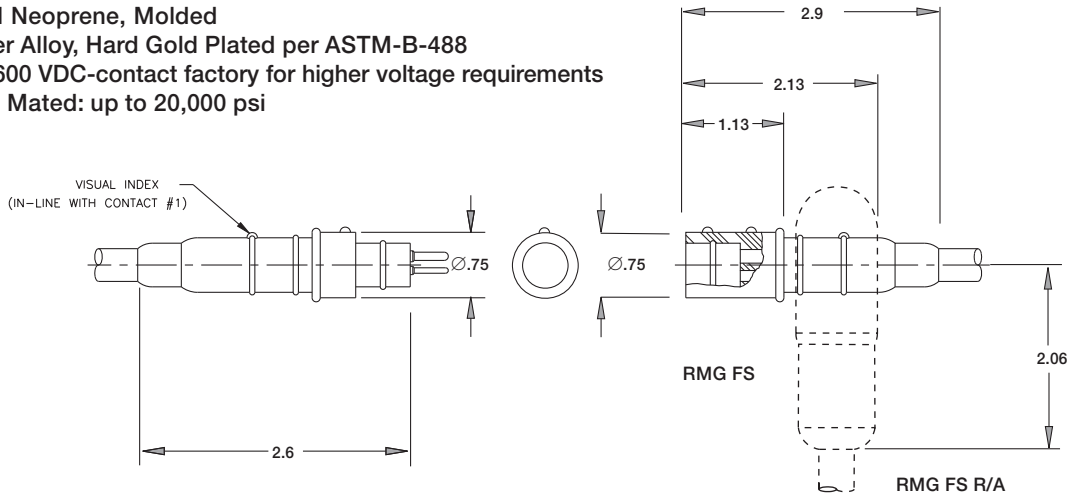
STANDARD RUBBER MOLDED



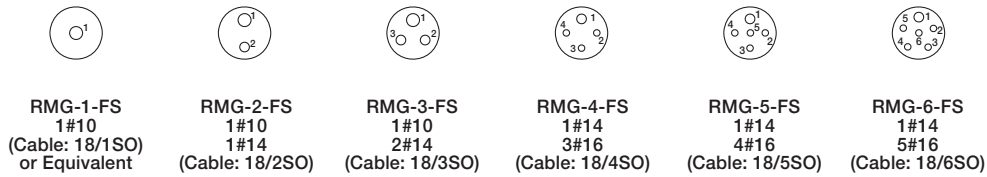
IN-LINE SERIES

Note: Available with grippers, must specify.

Material: Special Neoprene, Molded
 Contacts: Copper Alloy, Hard Gold Plated per ASTM-B-488
 Voltage Rating: 600 VDC-contact factory for higher voltage requirements
 Pressure Rating, Mated: up to 20,000 psi



RMG-MP

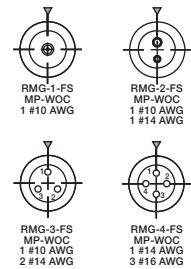
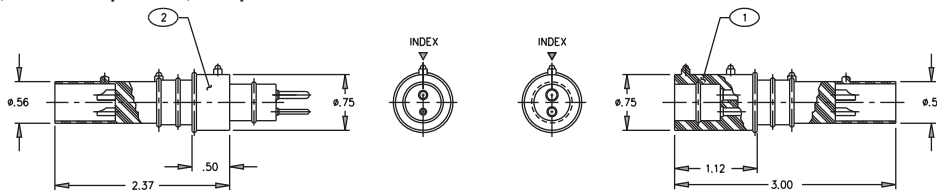


WOC CONNECTORS

Note: WOC stands for "without cable." The connectors are supplied as shown below for installation in the field and/or to non-neoprene jacketed cables, Bonding can be achieved by molding to the connectors shown using polyurethane with appropriate primers.

Part Name: RMG-FS WOC, RMG-MP WOC

Material: Special Neoprene, Molded
 Contacts: Brass, Hard Gold Plated per ASTM-B-488
 Voltage Rating: 600 VDC-contact factory for higher voltage requirements
 Pressure Rating, Mated: up to 20,000 psi



LOCKING SLEEVES

Note: Must specify cable OD when using G-FLS-X

G-MLS-D (AVAILABLE FOR RMG-MP, RMG-MP WOC)
 G-FLS-D (AVAILABLE FOR RMG-FS, RMG-FS-R/A,
 RMG-FS WOC)
 G-MLS-S (AVAILABLE FOR RMG-MP, RMG-MP WOC)
 G-FLS-S (AVAILABLE FOR RMG-FS, RMG-FS-R/A,
 RMG-FS WOC)
 G-FLS-X (AVAILABLE FOR RMG-FS) Must specify cable O.D.
 when ordering G-FLS-X

DUMMY CONNECTORS

Note: specify number of conductors when ordering

RMG-FSD MATES TO RMG-MP, BCL & XSG-BCL,
 XSG-PBC, XSG-PBCL & XSG-PBCLM
 RMG-MPD MATES TO RMG-FS & RMG FS-R/A

MATERIAL: SPECIAL NEOPRENE, MOLDED
 PRESSURE RATING, MATED:
 RMG-FSD (20,000 PSI)
 RMG-MPD-LP (LOW PRESSURE ≤ 4,000 PSI)
 RMG-MPD-HP (4,000 PSI-20,000 PSI) Contact Required



RMG-FS AND ASSOCIATED PARTS

MATEABLE BULKHEAD CONNECTORS



BULKHEAD CONNECTORS

(MATES TO RMG FS & RMG-FS-R/A & RMG FS WOC)

Dummy Connector RMG FS D

Part Name: **RMG-BCL**

Material: 316 Stainless St., Internal Insulation-Special Neoprene

Contacts: Copper Alloy, Hard Gold Plated per ASTM-B-448

Pressure Rating, Mated: up to 20,000 psi

RMG-BCL; Special Insulating neoprene is permanently molded to the metal shell. These types of connectors are used where physical abuse would be too great for the non-metallic (glass reinforced epoxy) series. The RMG BCL has a locking sleeve provision and utilizes a facial O-ring seal to the bulkhead.

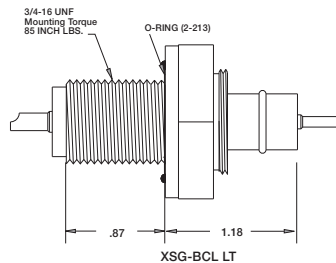
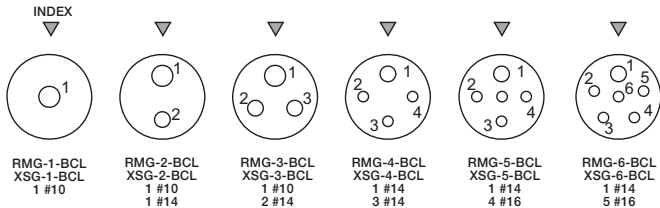
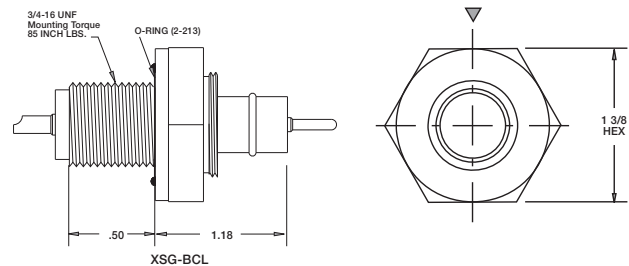
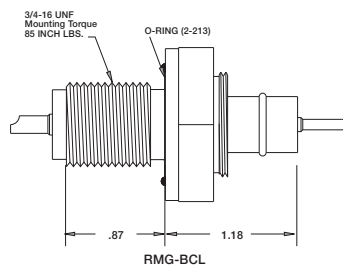
Part Name: **XSG-BCL**

Material: Glass Reinforced Epoxy

Contacts: Copper Alloy, Hard Gold Plated per ASTM-B-448

Pressure Rating, Mated: up to 20,000 psi

XSG-BCL; One of our oldest connectors in the non-metallic series, with male pin as shown. Connector is one homogeneously molded unit. Available with different thread lengths as indicated. The XSG BCL has a locking sleeve provision and utilizes a facial O-ring seal to the bulkhead.



Part Name: **XSG-BCL-P-R/A**

Material: Glass Reinforced Epoxy

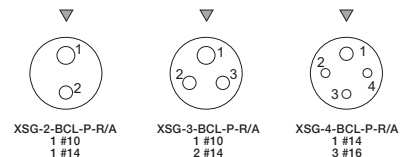
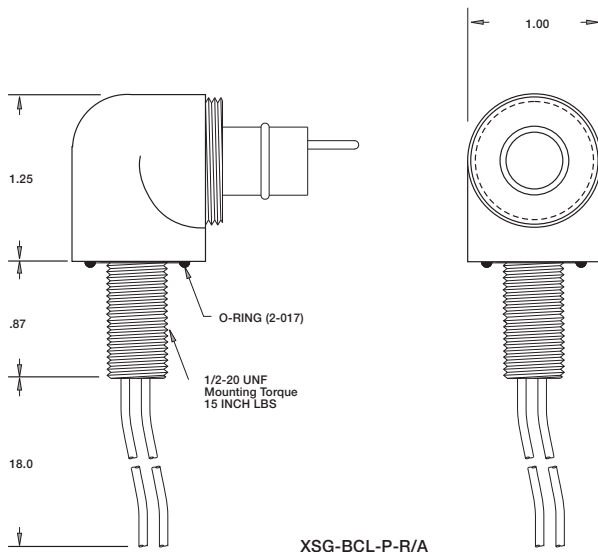
Contacts: Copper Alloy, Hard Gold Plated per ASTM-B-448

Pigtails; 1 : ~chj d/iZY1 4Z insulated #18 AWG

Pressure Rating, Mated: up to 20,000 psi

XSG-BCL-P-R/A; A non-metallic low profile right angle bulkhead connector featuring a locking sleeve provision and utilizing a facial o-ring seal to the bulkhead.

NOTE: Torque values referenced in this literature assume installation into dry metal threads. Please contact the factory for recommendations.



RMG-FS AND ASSOCIATED PARTS

MATEABLE BULKHEAD CONNECTORS



BULKHEAD CONNECTORS & MOUNTING REQUIREMENT
 (MATES TO RMG FS & RMG-FS-R/A & RMG-FS WOC)
 Dummy Connector: RMG-FSD

Part Name: **XSG-PBC, XSG-PBCL**

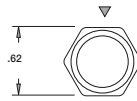
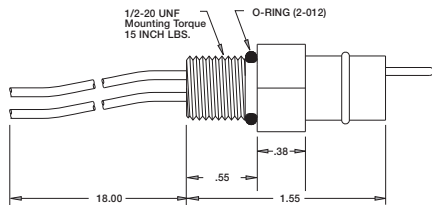
Material: Glass Reinforced Epoxy

Contacts: Copper Alloy, Hard Gold Plated per ASTM-B-488

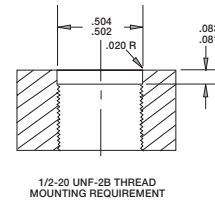
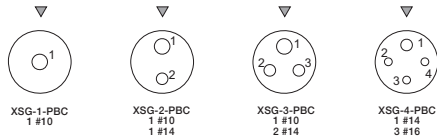
Pigtails: 1 : : ~chj d/iZY1 ~ insulated #18 AWG

Pressure Rating, Mated: up to 5,000 psi

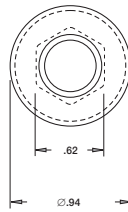
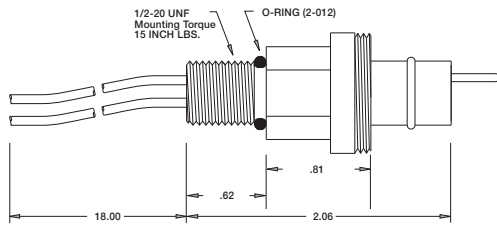
XSG-PBC; Small footprint non-metallic connector utilizing an o-ring in the thread relief area to seal to the bulkhead.



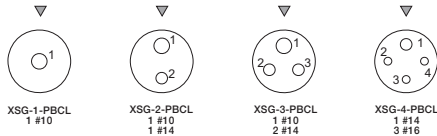
XSG-PBC



1/2-20 UNF-2B THREAD MOUNTING REQUIREMENT



XSG-PBCL



XSG-PBCL; Small footprint non-metallic connector utilizing an o-ring in the thread relief area to seal to the bulkhead. Features a locking sleeve provision.

Part Name: **XSG-PBCLM**

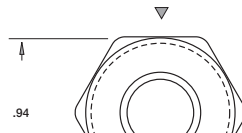
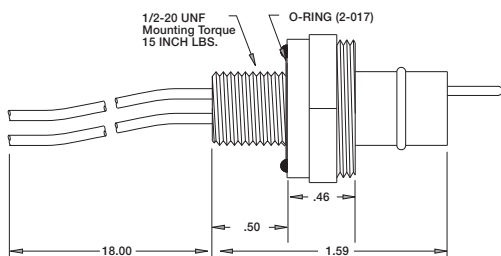
Material: Glass Reinforced Epoxy

Contacts: Copper Alloy, Hard Gold Plated per ASTM-B-488

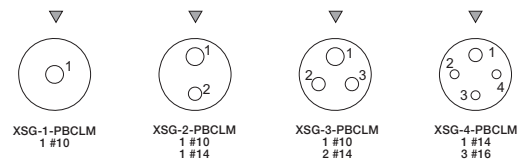
Pigtails: 1 : : ~chj d/iZY1 ~ insulated #18 AWG

Pressure Rating, Mated: up to 5,000 psi

XSG-PBCLM; Non-metallic connector utilizing a facial o-ring seal to the bulkhead. Features a locking sleeve provision.



XSG-PBCLM



NOTE: Torque values referenced in this literature assume installation into dry metal threads. Please contact the factory for recommendations.

RMG-FS AND ASSOCIATED PARTS

MATEABLE BULKHEAD CONNECTORS



BULKHEAD CONNECTORS

(MATES TO RMG FS & RMG-FS-R/A & RMG-FS WOC)

Dummy Connector: RMG-FSD

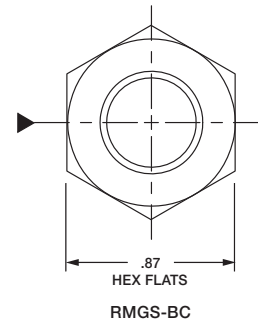
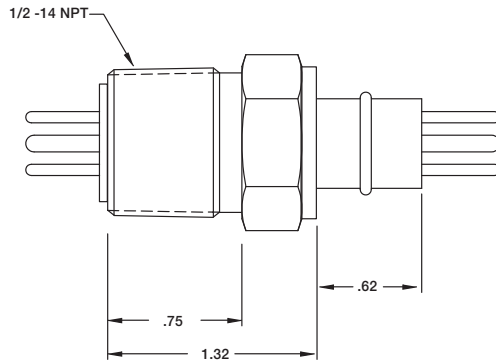
Part Names: **RMGS-BC, RMGS-BCL**

Material: 316 Stainless Steel

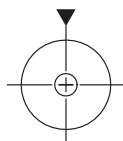
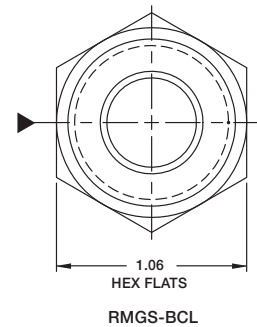
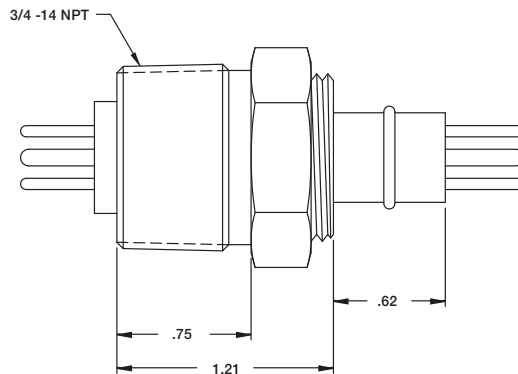
Contacts: Copper Alloy, Hard Gold Plated per ASTM-B-488

Pressure Rating, Mated: up to 5,000 psi

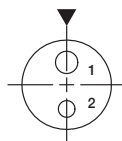
RMGS-BC; Features a stainless steel body, insulating neoprene, and pipe thread for sealing to bulkhead. No O-Ring required for sealing.



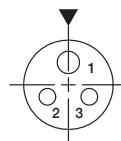
RMGS-BCL; Features a stainless steel body, insulating neoprene, and pipe thread for sealing to bulkhead. No O-Ring required for sealing. Features a locking sleeve provision.



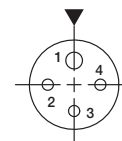
RMGS-1-BC/BCL
1 #10 AWG



RMGS-2-BC/BCL
1 #10 AWG
1 #14 AWG



RMGS-3-BC/BCL
1 #10 AWG
2 #14 AWG



RMGS-4-BC/BCL
1 #14 AWG
3 #16 AWG

NOTE: Torque values referenced in this literature assume installation into dry metal threads. Please contact the factory for recommendations.

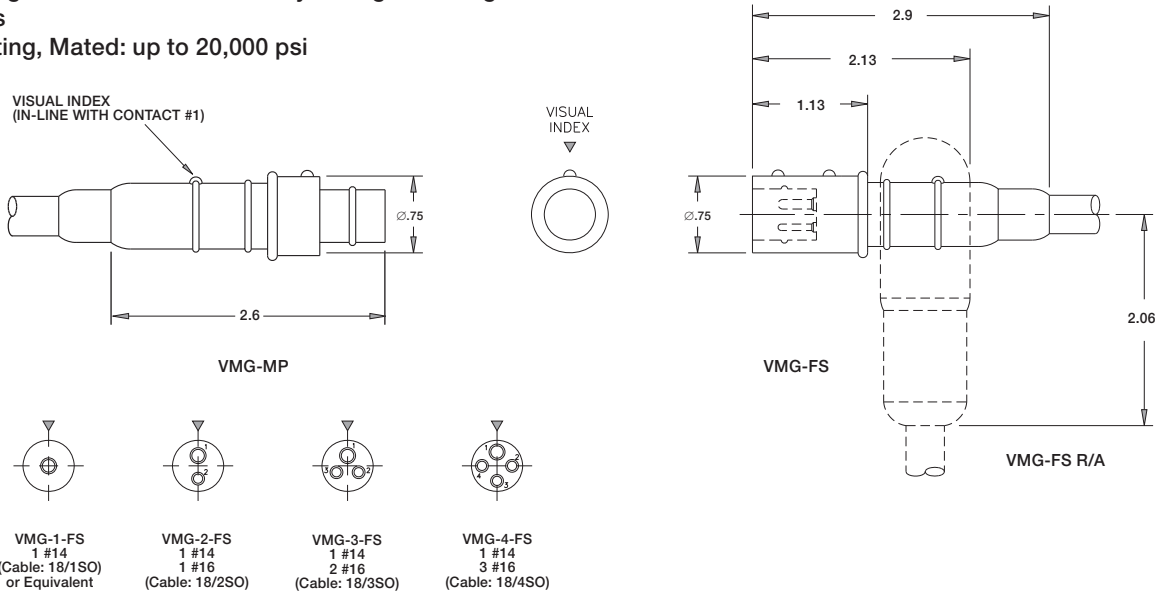
VMG-FS AND ASSOCIATED PARTS

REVERSED RUBBER MOLDED



IN-LINE SERIES

Material: Special Neoprene, Molded
 Contacts: Copper Alloy, Hard Gold Plated per ASTM-B-448
 Voltage Rating: 600 VDC-contact factory for higher voltage requirements
 Pressure Rating, Mated: up to 20,000 psi

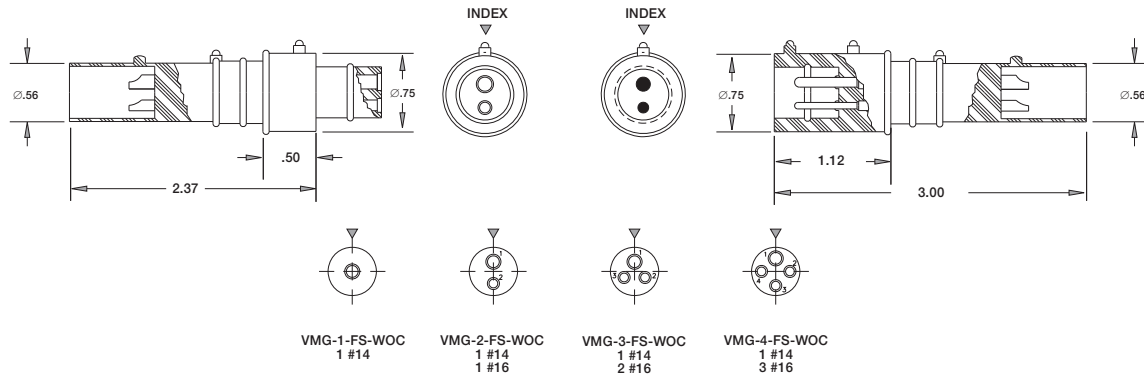


WOC CONNECTORS

Note: WOC stands for "without cable." The connectors are supplied as shown below for installation in the field and/or to non-neoprene jacketed cables. Bonding can be achieved by molding to the connectors shown using polyurethane with appropriate primers.

Part Names: VMG-FS WOC, VMG-MP WOC

Material: Special Neoprene, Molded
 Contacts: Copper Alloy, Hard Gold Plated per ASTM-B-448
 Voltage Rating: 600 VDC-contact factory for higher voltage requirements
 Pressure Rating, Mated: up to 20,000 psi



LOCKING SLEEVES

G-MLS-D (AVAILABLE FOR VMG-MP (VMG-MP-WOC))
 G-FLS-D (AVAILABLE FOR VMG-FS, VMG-FS-R/A, VMG-FS WOC)
 G-FLS-X (AVAILABLE FOR VMG-FS) Must specify cable O.D.

DUMMY CONNECTORS

Note: Must specify cable OD when using G-FLS-X

Note: specify number of conductors when ordering

VMG-FSD MATES TO VMG-MP
 VMG-MPD MATES TO VMG-FS & VMG-FS-R/A & VMG-FS WOC

MATERIAL: SPECIAL NEOPRENE, MOLDED
 PRESSURE RATING, MATED:
 VMG-FSD-LP (LOW PRESSURE \leq 4,000PSI, NO CONTACT REQUIRED)
 VMG-FSD-HP (4,000-20,000 PSI, CONTACT IS REQUIRED)
 VMG-MPD (20,000 PSI)



VMG-FS AND ASSOCIATED PARTS

MATEABLE BULKHEAD CONNECTORS



BULKHEAD CONNECTORS & MOUNTING REQUIREMENT (MATES TO VMG-FS, VMG-FS-R/A & VMG-FS WOC) Dummy Connector VMG-FS D

Part Name: **VMG-BCL**

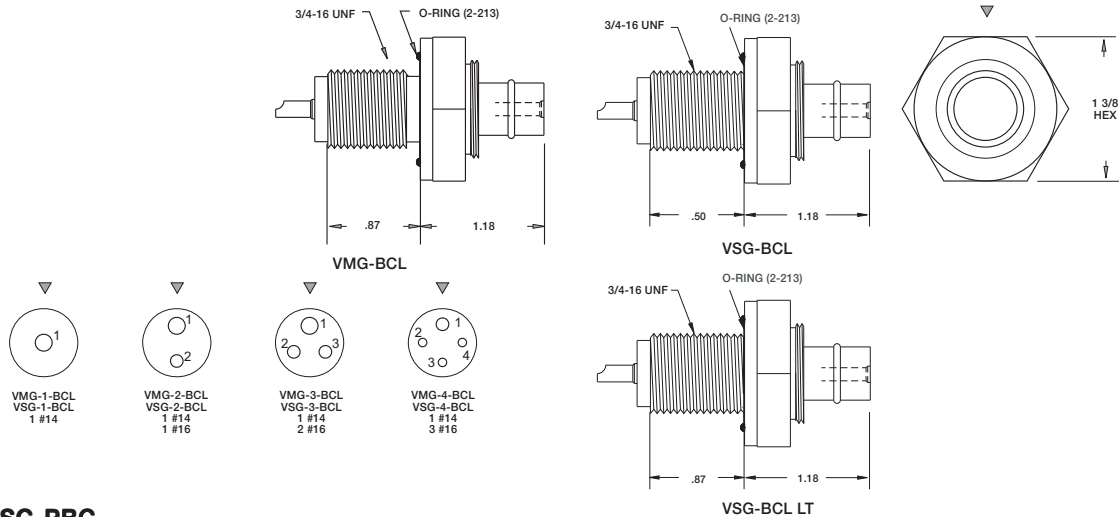
Material: 316 Stainless St., Internal Insulation-Special Neoprene
Contacts: Copper Alloy, Hard Gold Plated per ASTM-B-488
Pressure Rating, Mated: up to 20,000 psi

VMG-BCL; Special insulating neoprene is permanently molded to the metal shell. These types of connectors are used where physical abuse would be too great for the non-metallic (glass reinforced epoxy) series. The VMG BCL features a locking sleeve provision and utilizes a facial o-ring seal to the bulkhead.

Part Name: **VSG-BCL**

Material: Glass Reinforced Epoxy
Contacts: Copper Alloy, Hard Gold Plated per ASTM-B-488
Pressure Rating, Mated: up to 20,000 psi

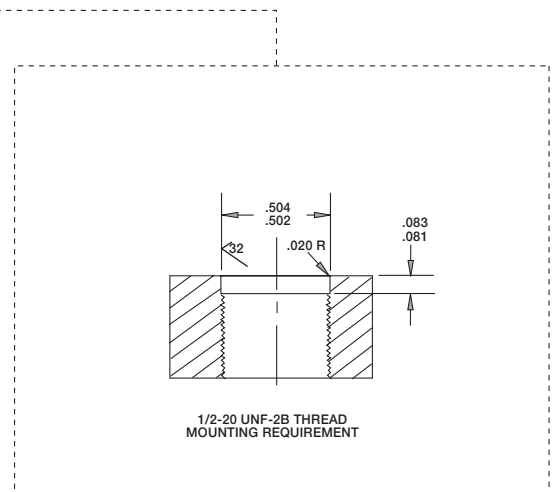
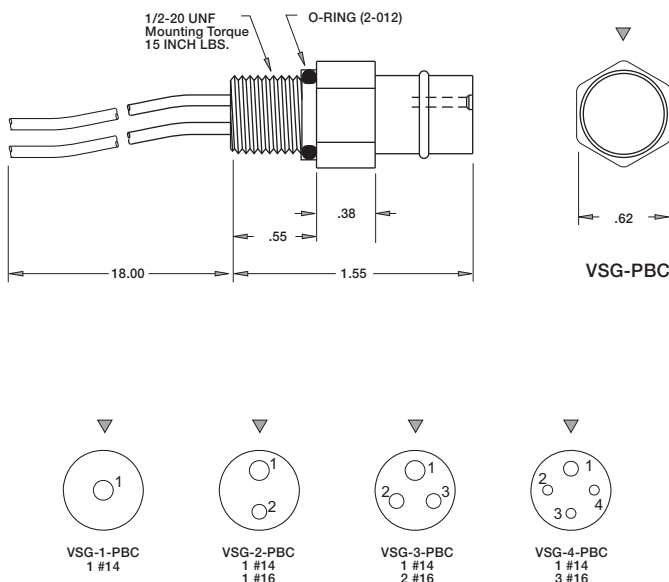
VSG-BCL; One of our oldest connectors in the non-metallic series, with female sockets as shown. Connector is one homogeneously molded unit. Available with different thread lengths as indicated. The VSG BCL features a locking sleeve provision and utilizes a facial o-ring seal to the bulkhead.



Part Name: **VSG-PBC**

Material: Glass Reinforced Epoxy
Contacts: Copper Alloy, Hard Gold Plated per ASTM-B-488
Pigtails: 1 ; : ~chj á/iZY1 ç insulated #18 AWG
Pressure Rating, Mated: up to 5,000 psi

VSG-PBC; Non-Metallic connector utilizing an o-ring in the thread relief area to seal the bulkhead.



NOTE: Torque values referenced in this literature assume installation into dry metal threads. Please contact the factory for recommendations.

VMG-FS AND ASSOCIATED PARTS

MATEABLE BULKHEAD CONNECTORS



BULKHEAD CONNECTORS & MOUNTING REQUIREMENT (MATES TO VMG FS & VMG-FS-R/A)

Part Name: **VSG-PBCL**

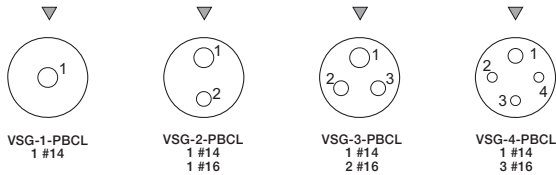
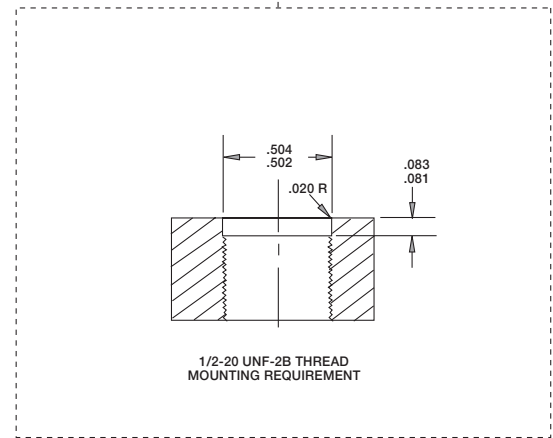
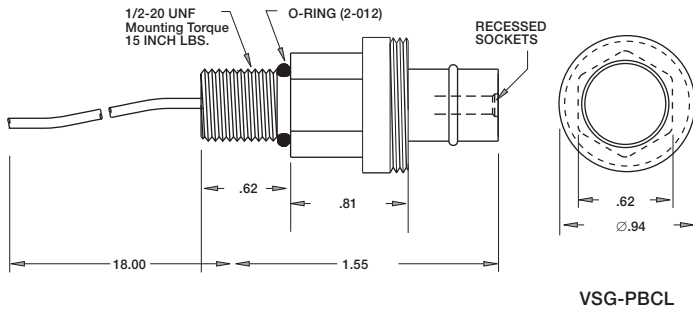
Material: Glass Reinforced Epoxy

Contacts: Copper Alloy, Hard Gold Plated per ASTM-B-488

Pigtails: 1 ; : ~chj á/iZY1 4Z insulated #18 AWG

Pressure Rating, Mated: up to 5,000 psi

VSG-PBCL; Non-metallic connector that features a locking sleeve provision and utilizes an o-ring in the thread relief area to seal to the bulkhead.



Part Name: **VSG-PBCLM**

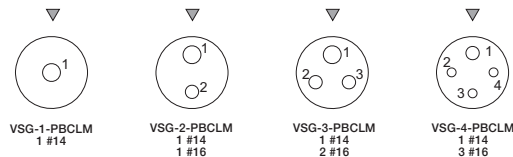
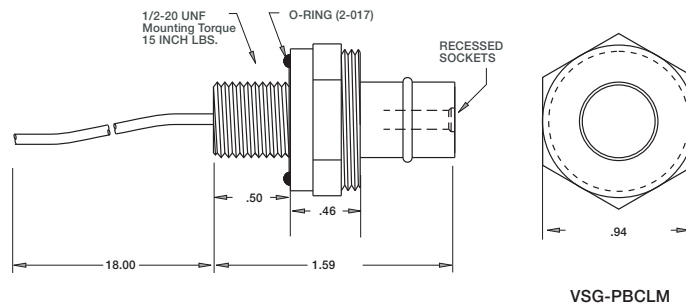
Material: Glass Reinforced Epoxy

Contacts: Copper Alloy, Hard Gold Plated per ASTM-B-488

Pigtails: 1 ; : ~chj á/iZY1 4Z insulated #18 AWG

Pressure Rating, Mated: up to 5,000 psi

VSG-PBCLM; Non-Metallic connector featuring a locking sleeve provision. VSG-PBCLM utilizes a facial o-ring seal to the bulkhead.



NOTE: Torque values referenced in this literature assume installation into dry metal threads. Please contact the factory for recommendations.

RMK-FS AND ASSOCIATED PARTS

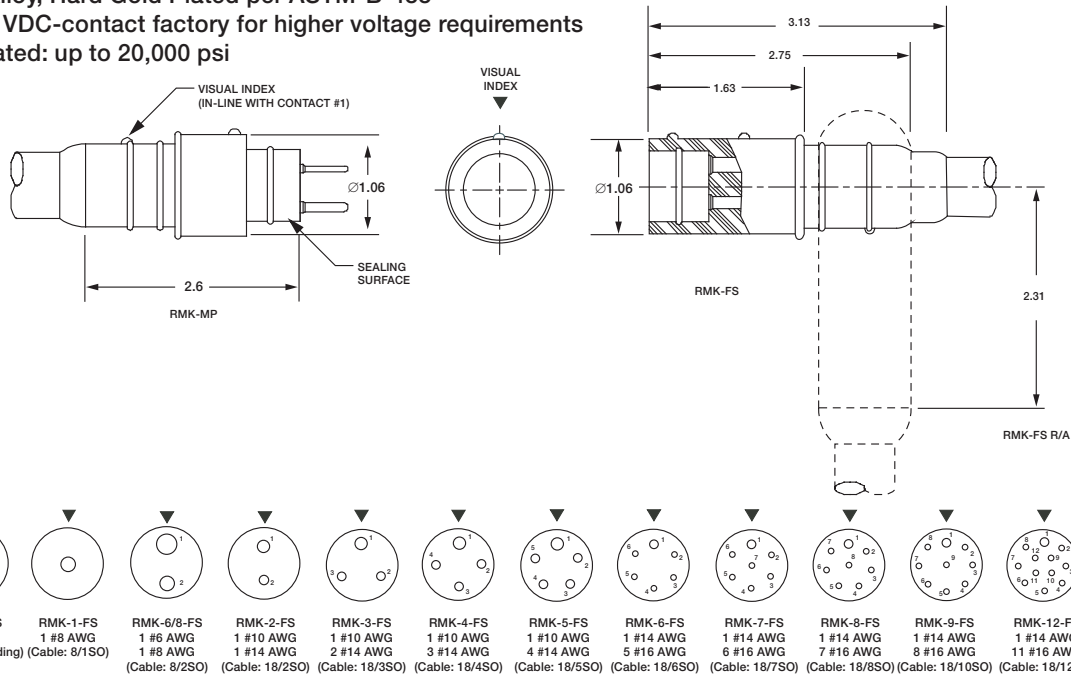
STANDARD RUBBER MOLDED



IN-LINE SERIES

Note: Available with grippers, must specify.

Material: Special Neoprene, Molded
 Contacts: Copper Alloy, Hard Gold Plated per ASTM-B-488
 Voltage Rating: 600 VDC-contact factory for higher voltage requirements
 Pressure Rating, Mated: up to 20,000 psi

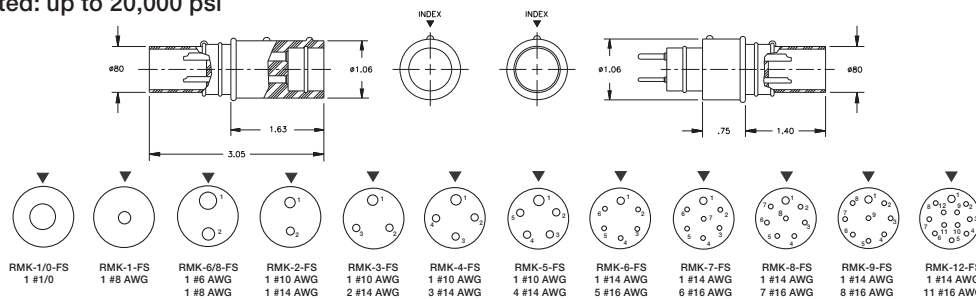


WOC CONNECTORS

Note: WOC stands for "without cable." The connectors are supplied as shown below for installation in the field and/or to non-neoprene jacketed cables. Bonding can be achieved by molding to the connectors shown using polyurethane with appropriate primers. Inexpensive plastic syringes can be used as molds.

Part Names: RMK-FS WOC, RMK-MP WOC

Material: Special Neoprene, Molded
 Contacts: Brass, Hard Gold Plated per ASTM-B-488
 Voltage Rating: 600 VDC-contact factory for higher voltage requirements
 Pressure Rating, Mated: up to 20,000 psi



LOCKING SLEEVES

K-MLS-D (AVAILABLE FOR RMK-MP & RMK-MP WOC)
 K-FLS-D (AVAILABLE FOR RMK-FS, RMK-FS-R/A, RMK-FS WOC)
 K-MLS-S (AVAILABLE FOR RMK-MP, RMK-MP WOC)
 K-FLS-S (AVAILABLE FOR RMK-FS, RMK-FS R/A & RMK-FS WOC)
 K-FLS-X (AVAILABLE FOR RMK-FS)
 (Must specify cable O.D. when ordering K-FLS-X)

DUMMY CONNECTORS

Note: specify number of conductors when ordering

RMK-FSD MATES TO RMK-MP
 RMK-MPD MATES TO RMK-FS & RMK-FS-R/A

Material: Special Neoprene, Molded
 Pressure Rating, Mated:
 RMK-FSD (20,000 PSI)

RMK-MPD-LP (LOW PRESSURE \leq 4,000 PSI, NO CONTACT REQUIRED)
 RMK-MPD-HP (4,000-20,000 PSI CONTACT IS REQUIRED)



RMK-FS AND ASSOCIATED PARTS

MATEABLE BULKHEAD CONNECTORS



BULKHEAD CONNECTORS

(MATES TO RMK-FS & RMK-FS-R/A & RMK-FS WOC)

Dummy Connector: RMK-FSD

NOTE: Torque values referenced in this literature assume installation into dry metal threads. Please contact the factory for recommendations.

Part Name: **RMK-BCL**

Material: 316 Stainless St.; Internal Insulation: Special Neoprene

Contacts: Copper Alloy, Hard Gold Plated per ASTM-B-488

Pressure rating, Mated: up to 20,000 psi

RMK-BCL; Special Insulating neoprene is permanently molded to the metal shell. These types of connectors are used where physical abuse would be too great for the non-metallic (glass reinforced epoxy) series. The RMK BCL has a locking sleeve provision and utilizes a facial O-ring seal to the bulkhead.

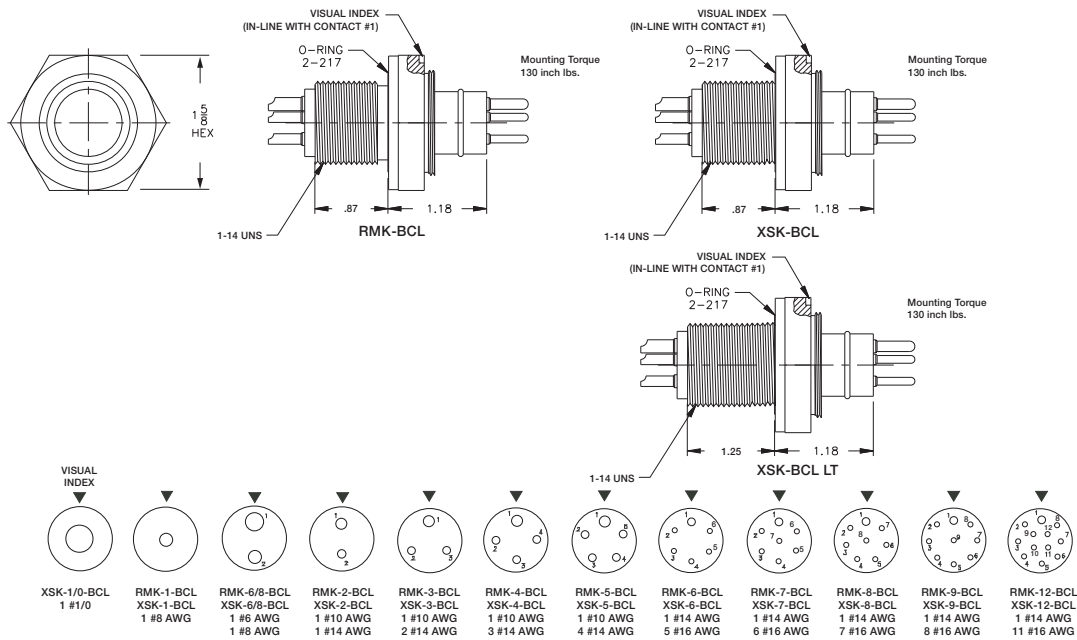
Part Name: **XSK-BCL**

Material: Glass Reinforced Epoxy

Contacts: Copper Alloy, Hard Gold Plated per ASTM-B-488

Pressure Rating, Mated: up to 20,000 psi

XSK-BCL; One of our oldest connectors in the non-metallic series, with male pin as shown. Connector is one homogeneously molded unit. Available with different thread lengths as indicated. The XSK BCL has a locking sleeve provision and utilizes a facial O-ring seal to the bulkhead.



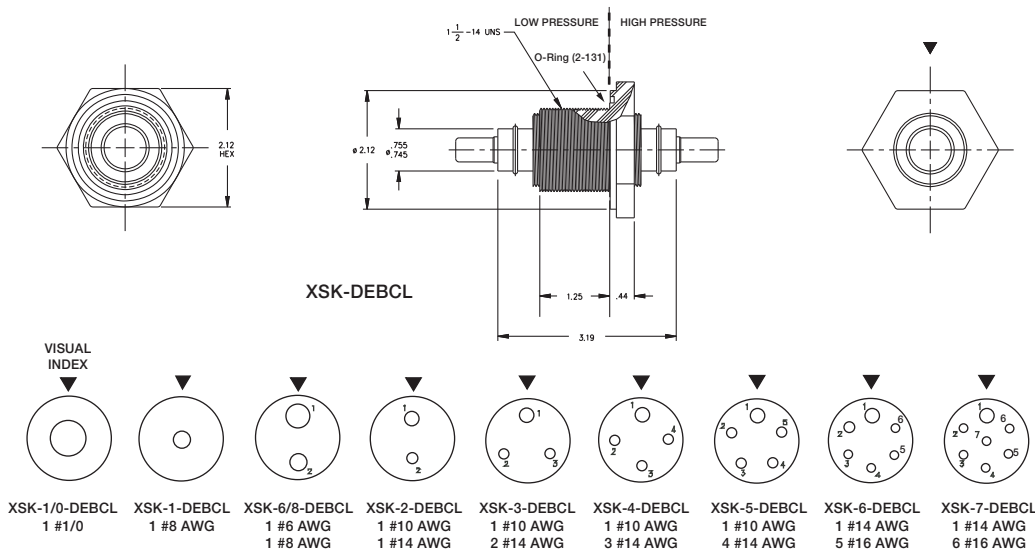
Part Name: **XSK-DEBCL**

Material: Glass Reinforced Epoxy

Contacts: Copper Alloy, Hard Gold Plated per ASTM-B-488

Pressure Rating, Mated: up to 20,000 psi from front side.

XSK-DEBCL; A non-metallic double ended connector which accepts a mating connector on either end. The same locking sleeve also mates to both ends. This connector utilizes a facial o-ring seal to the bulkhead.



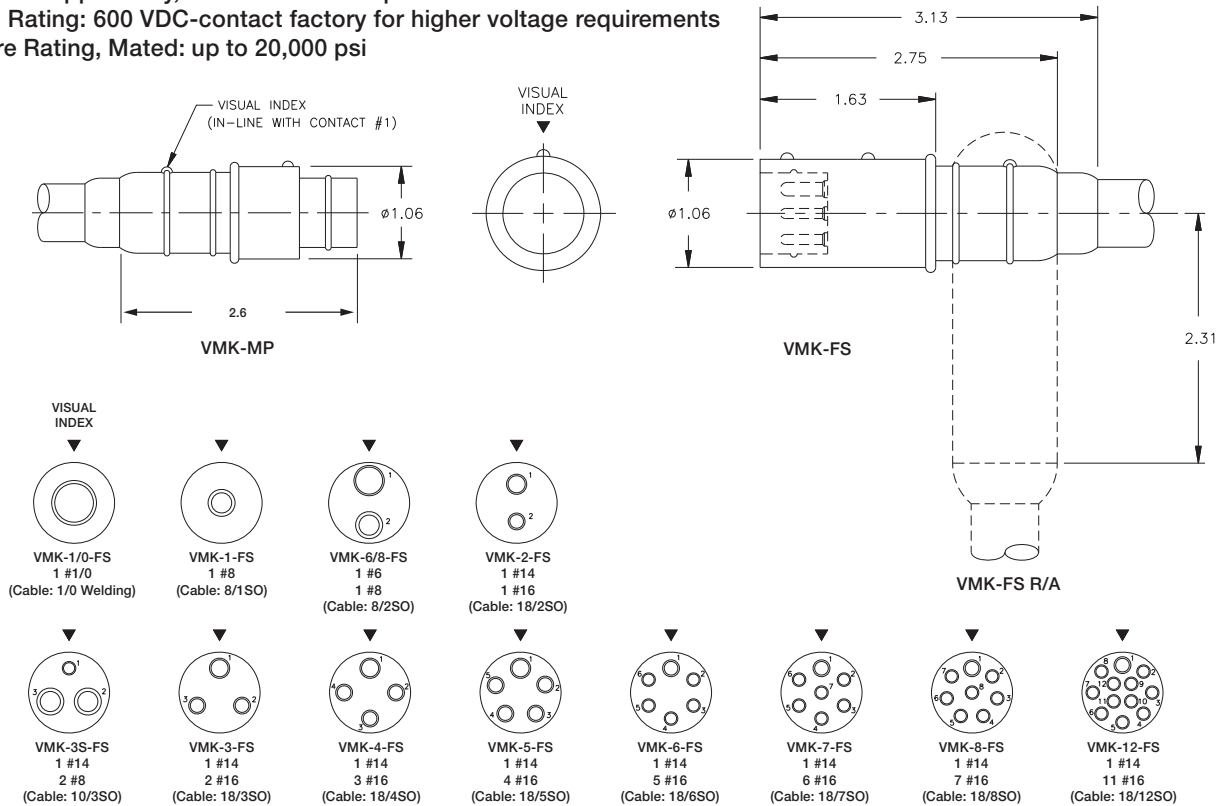
VMK-FS AND ASSOCIATED PARTS

REVERSED RUBBER MOLDED



IN-LINE SERIES

Material: Special Neoprene, Molded
 Contacts: Copper Alloy, Hard Gold Plated per ASTM-B-488
 Voltage Rating: 600 VDC-contact factory for higher voltage requirements
 Pressure Rating, Mated: up to 20,000 psi

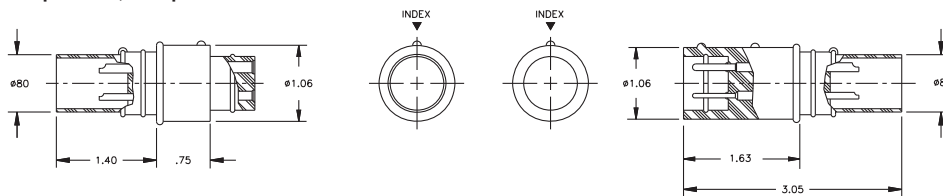


WOC CONNECTORS

Note: WOC stands for "without cable." The connectors are supplied as shown below for installation in the field and/or to non-neoprene jacketed cables. Bonding can be achieved by molding to the connectors shown using polyurethane with appropriate primers.

Part Names: VMK-FS WOC, VMK-MP WOC

Material: Special Neoprene, Molded
 Contacts: Brass, Hard Gold Plated per ASTM-B-488
 Voltage Rating: 600 VDC-contact factory for higher voltage requirements
 Pressure Rating, Mated: up to 20,000 psi



LOCKING SLEEVES

K-MLS-D (AVAILABLE FOR VMK-MP, VMK-MP WOC)
 K-FLS-D (AVAILABLE FOR VMK-FS, VMK-FS-R/A, VMK-FS WOC)

DUMMY CONNECTORS

Notes: Specify number of conductors when ordering

VMK-FSD MATES TO VMK-MP
 VMK-MPD MATES TO VMK-FS & VMK-FS R/A

Material: Special Neoprene, Molded
 Pressure Rating, Mated:
 VMK-FSD-LP (LOW PRESSURE ≤ 4,000 PSI, NO CONTACT REQUIRED)
 VMK-FSD-HP (4,000-20,000 PSI CONTACT IS REQUIRED)
 VMK-MPD (20,000 PSI, NO CONTACT REQUIRED)



VMK-FS AND ASSOCIATED PARTS

MATEABLE BULKHEAD CONNECTORS



BULKHEAD CONNECTORS

(MATES TO VMK-FS & VMK-FS-R/A & VMK FS WOC)

Dummy Connector VMK-FSD

Part Name: **VMK-BCL**

Material: 316 Stainless St.; Internal Insulation: Special Neoprene

Contacts: Copper Alloy, Hard Gold Plated per ASTM-B-488

Pressure Rating, Mated: up to 20,000 psi

VMK-BCL; Special Insulating neoprene is permanently molded to the metal shell. These types of connectors are used where physical abuse would be too great for the non-metallic (glass reinforced epoxy) series. The VMK BCL has a locking sleeve provision and utilizes a facial O-ring seal to the bulkhead.

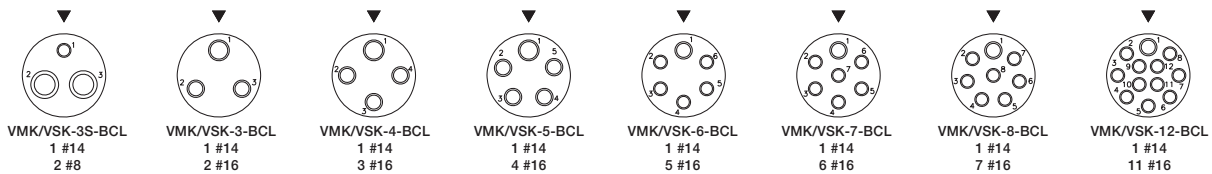
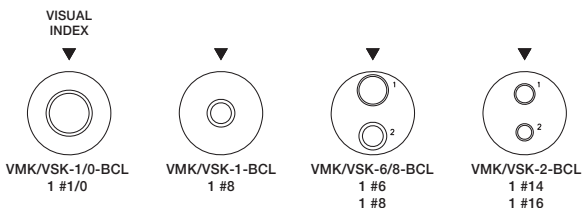
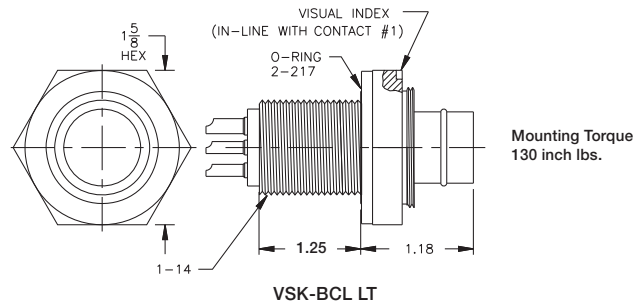
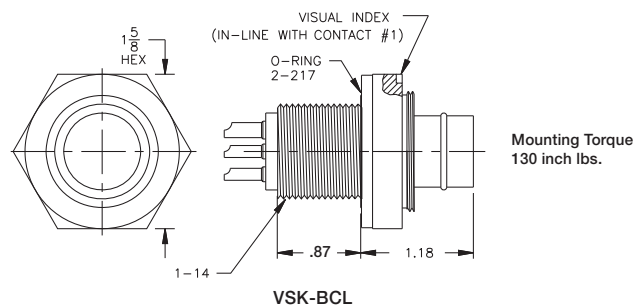
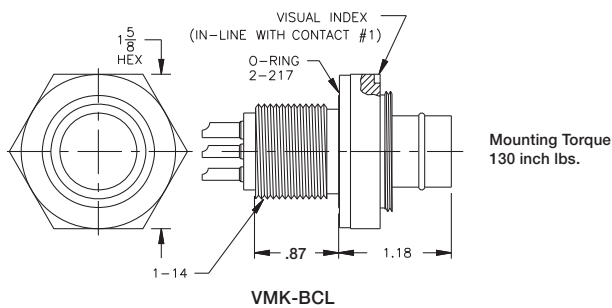
Part Name: **VSK-BCL**

Material: Glass Reinforced Epoxy

Contacts: Copper Alloy, Hard Gold Plated per ASTM-B-488

Pressure Rating, Mated: up to 20,000 psi

VSK-BCL; One of our oldest connectors in the non-metallic series, with male pin as shown. Connector is one homogeneously molded unit. Available with different thread lengths as indicated. The VSK BCL has a locking sleeve provision and utilizes a facial O-ring seal to the bulkhead.



NOTE: Torque values referenced in this literature assume installation into dry metal threads. Please contact the factory for recommendations.



SPECIAL ASSEMBLIES

CABLE MOLDS AND CABLE SPLICES

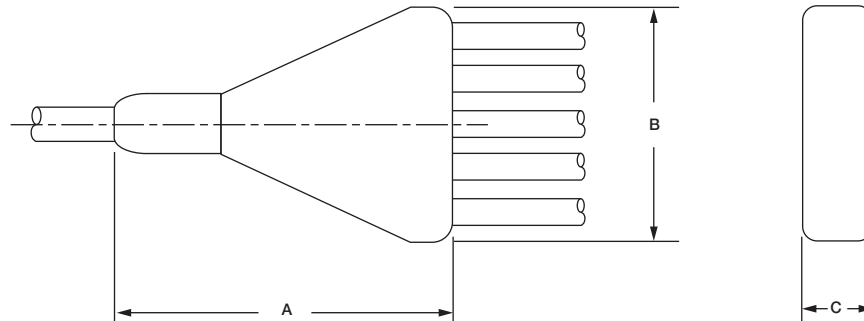
SPECIAL ASSEMBLIES

Material: Neoprene Molding per B/A X-5727 or Polyurethane; black per MIL-M-24041

Note: Length and geometric shape may vary depending on cable diameter.

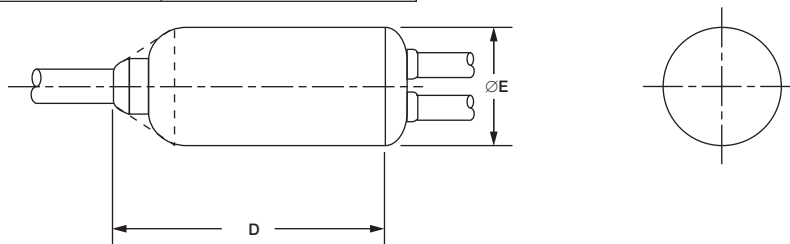
WYE MOLDS

| AVAILABLE MOLDS | A | B | C |
|-----------------|--------------|--------------|--------------|
| Y-30 | 2 3/4 Inches | 1 5/8 Inches | 5/8 Inches |
| Y-40 | 4 7/8 Inches | 3 1/2 Inches | 1 Inches |
| Y-50 | 6 3/4 Inches | 4 Inches | 1 1/2 Inches |
| Y-70 | 9 1/2 Inches | 5 1/2 Inches | 2 Inches |



BARREL MOLDS

| AVAILABLE MOLDS | D | Ø E |
|-----------------|--------------|--------------|
| B-30 | 2 Inches | 1 1/4 Inches |
| B-40 | 4 Inches | 1 3/4 Inches |
| %-50 | 6 1/2 Inches | 2 3/4 Inches |
| %-70 | 8 1/2 Inches | 3 1/2 Inches |



SPECIAL ASSEMBLIES

CABLE MOLDS AND CABLE SPLICES

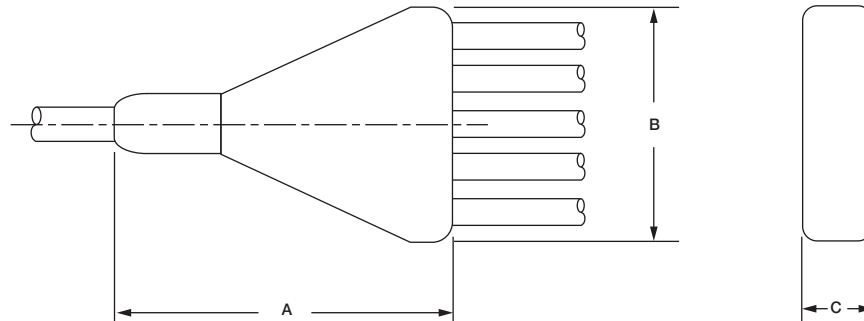
SPECIAL ASSEMBLIES

Material: Neoprene Molding per B/A X-5727 or Polyurethane; black per MIL-M-24041

Note: Length and geometric shape may vary depending on cable diameter.

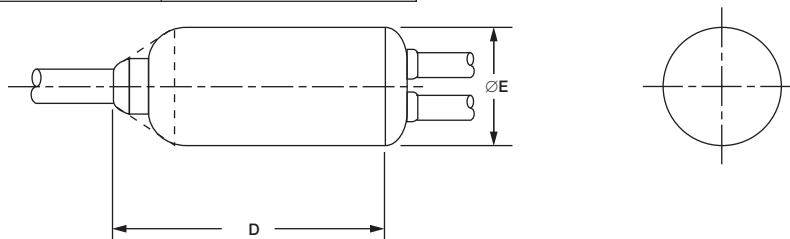
WYE MOLDS

| AVAILABLE MOLDS | A | B | C |
|-----------------|--------------|--------------|--------------|
| Y-30 | 2 3/4 Inches | 1 5/8 Inches | 5/8 Inches |
| Y-40 | 4 7/8 Inches | 3 1/2 Inches | 1 Inches |
| Y-50 | 6 3/4 Inches | 4 Inches | 1 1/2 Inches |
| Y-70 | 9 1/2 Inches | 5 1/2 Inches | 2 Inches |



BARREL MOLDS

| AVAILABLE MOLDS | D | Ø E |
|-----------------|--------------|--------------|
| B-30 | 2 Inches | 1 1/4 Inches |
| B-40 | 4 Inches | 1 3/4 Inches |
| %-50 | 6 1/2 Inches | 2 3/4 Inches |
| %-70 | 8 1/2 Inches | 3 1/2 Inches |



LOCKING SLEEVES

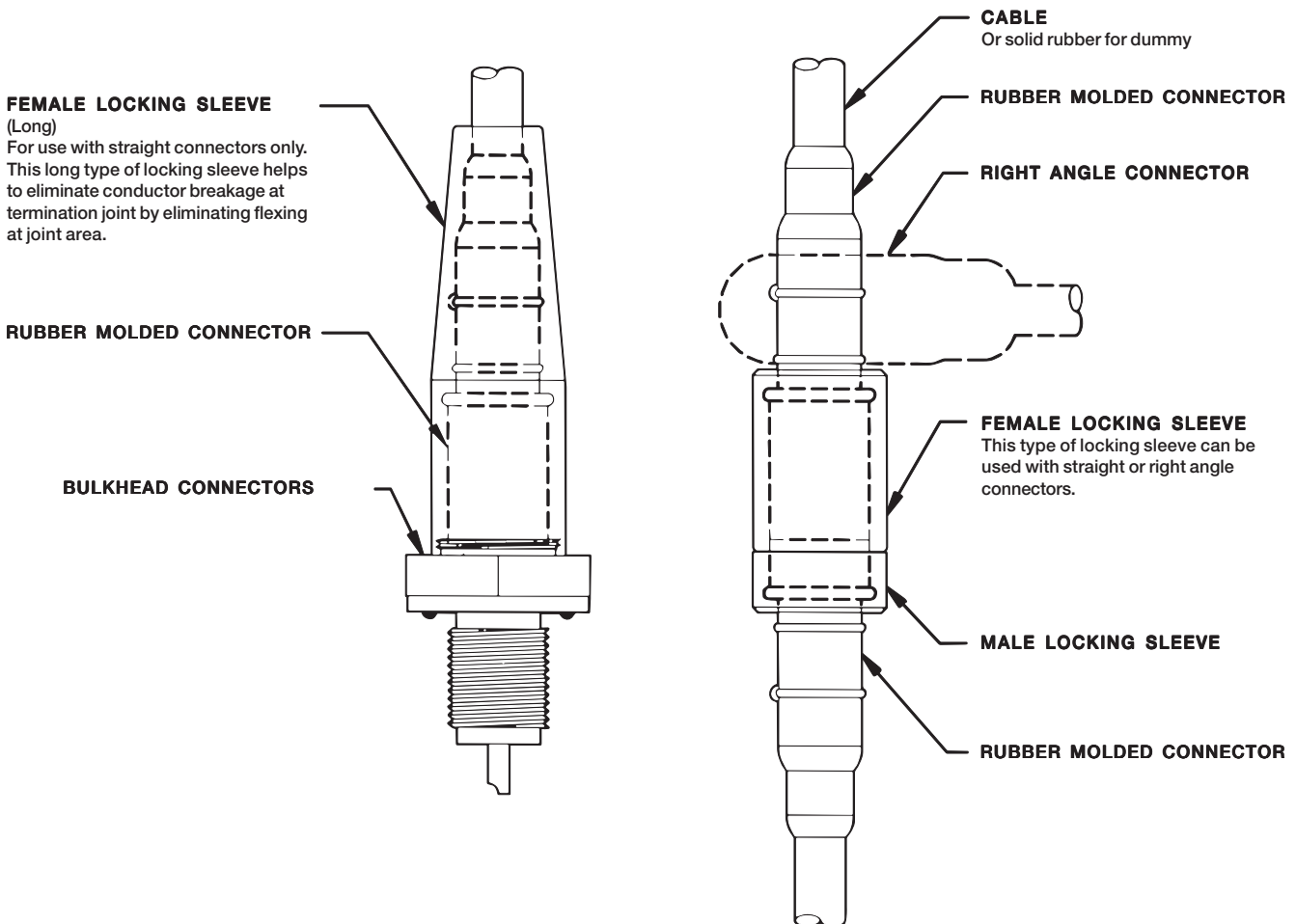


PART NUMBERING

| A SIZE | - | FLS (F) FEMALE OR (M) MALE LOCKING SLEEVE | - | D MATERIAL |
|-----------|---|---|---|--|
| | | | | EDAN68: 1 6A, BLACK-STANDARD (S) STAINLESS STEEL (B) BRONZE; CA 630 (X) LONG (TI) TITANIUM |

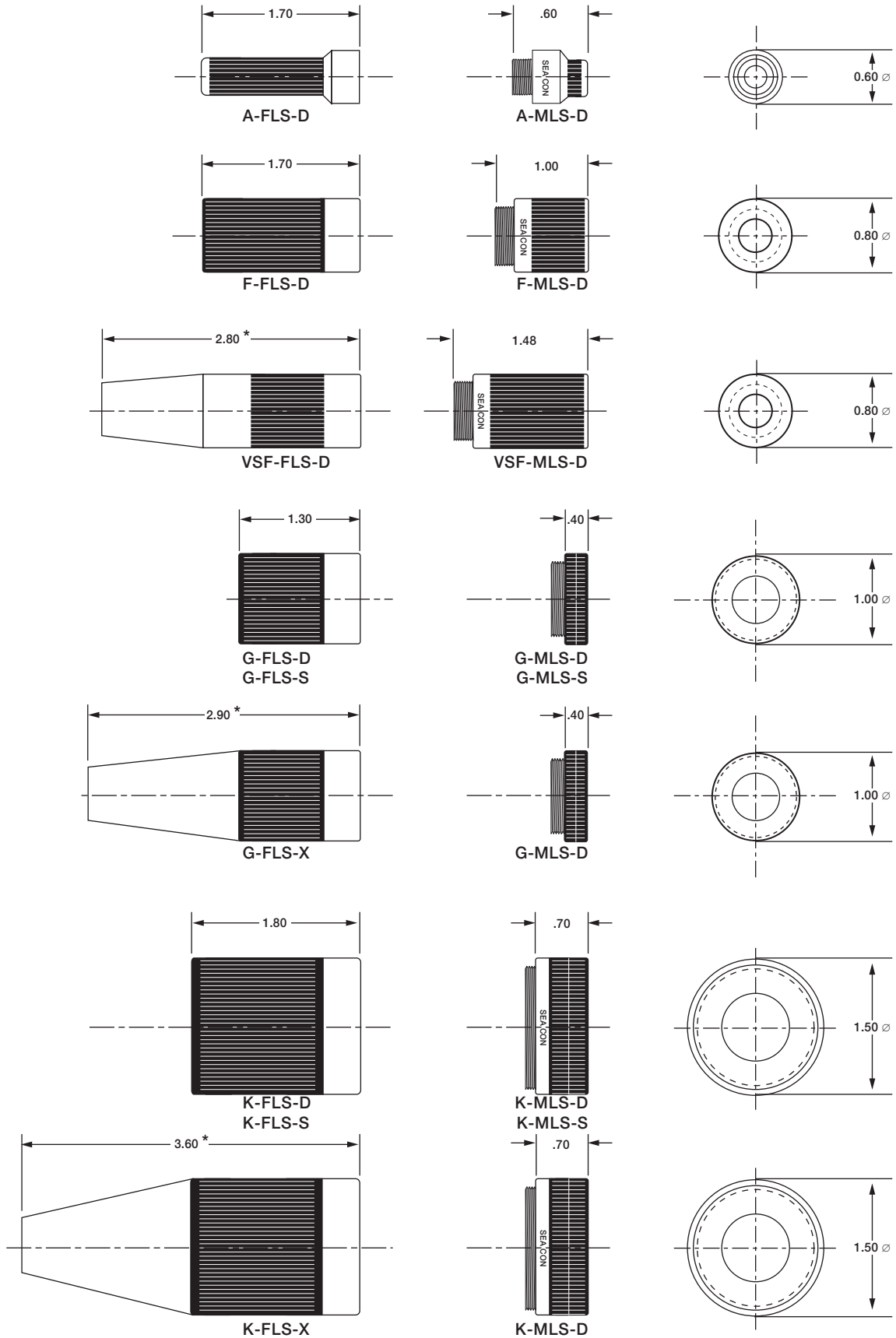
SEA CON®'S range of locking sleeves are available in Black EdanVXiVa(D), standard, previously standard: plastic or stainless steel(S). as shown on next page. Other materials may be available by special order.

USES: Assists in avoiding accidental disconnection. The long locking sleeves are used to minimize flexing stress being applied to the electrical conductor terminations when the cable is flexed.



Notes: Cable diameter must be specified when ordering (long -X) Locking Sleeves.
X Size only uses 1/2 inch cable or smaller.

LOCKING SLEEVES



Notes: * VSF-FLS-D, G-FLS-X, K-FLS-X length will vary, depending on cable diameter.

RUBBER MOLDED QUICK REFERENCE MATING TABLE

| FEMALE SOCKET IN-LINE | MATEABLE MALE PLUG INLINE | MATEABLE METAL SHELL BULKHEAD | MATEABLE GLASS REINFORCED EPOXY BULKHEAD |
|------------------------------------|------------------------------|-------------------------------------|--|
| RMA-FS RMA-FS R/A RMA-FS SL | RMA-MP RMA-MP SL | RMA-BCL | XSA-BC, XSA-BCL XSB-BCL XSC-BC, XSC-BCL |
| VMA-FS VMA-FS R/A VMA-FS SL | VMA-MP VMA-MP SL | VMA-BCL | VSA-BC, VSA-BCL VSB-BCL |
| RMF-FS RMF-FS R/A | RMF-MP | Not Available At This Printing | XSF-BC, XSF-BCL XSFDE-BCL (Formerly XSDE-BCL) |
| VMF-FS VMF-FS R/A | VMF-MP | VMF-BCL | VSF-BCL |
| LMG-FS LMG-FS R/A | LMG-MP | Not Available This Printing | LSG-BC, LSG-BCL LSG-BC HP LSG-BC-SC (Formerly LSK-BC SC) |
| RMG-FS RMG-FS R/A RMG-FS WOC | RMG-MP RMG-MP WOC | RMG-BCL RMGS-BC RMGS-BCL | XSG-BCL, XSG-BCL-P- R/A XSG-PBC, XSG-PBCL, XSG-PBCLM |
| VMG-FS VMG-FS R/A VMG-FS WOC | VMG-MP VMG-MP WOC | VMG-BCL | VSG-BCL VSG-PBC, VSG-PBCL, VSG-PBCLM |
| RMK-FS RMK-FS R/A RMK-FS WOC | RMK-MP RMK-MP WOC | RMK-BCL | XSK-BCL XSKDE-BCL |
| VMK-FS VMK-FS R/A VMK-FS WOC | VMK-MP VMK-MP WOC | VMK-BCL | VSK-BCL |

SEACON

1700 Gillespie Way,
El Cajon, California 92020, USA.
TEL: +1 (619) 562-7071
FAX: +1 (619) 562-9706
E-Mail: seacon@seaconworldwide.com
Website: www.seaconworldwide.com

SEACON US GULF AREA SALES OFFICE

14511 Old Katy Road, Suite 300,
Houston, Texas 77079, USA.
TEL: +1 (281) 599-3509
FAX: +1 (281) 599-3517
E-Mail: gulfcoastsales@seaconworldwide.com
Website: www.seaconworldwide.com

SEACON ADVANCED PRODUCTS, LLC

1321 Nelius Road, P.O. Box 767,
Bellville, Texas 77418, USA.
TEL: +1 (979) 865-8846
FAX: +1 (979) 865-8859
E-Mail: sales@seacon-ap.com
Website: www.seacon-ap.com

SEACON BRAZIL

Rua Conde de Bonfim 120 sala 212, Tijuca,
Rio de Janeiro, Brazil, CEP: 20520-053.
TEL: +55 (11) 2103-6262
CELL: +55 (21) 9-7626-6062
E-mail: adalberto.bromberg@te.com
Website: www.seaconworldwide.com

SEACON (europe) LTD

Seacon House, Hewett Road, Gapton Hall Industrial Estate,
Great Yarmouth, Norfolk, NR31 0RB, UK.
TEL: +44 (0) 1493-652733
FAX: +44 (0) 1493-652840
E-Mail: sales@seaconeurope.com
Website: www.seaconeurope.com

SEACON GLOBAL PRODUCTION

Callejon Terrazos #8, Local 2-C, Las Brisas 1ra. Seccion,
Tijuana, B.C., Mexico C.P. 22610.
TEL: +52 (664) 626-2726
FAX: +52 (664) 686-8922
E-Mail: sales@seaconglobal.com
Website: www.seaconglobal.com
Dial from U.S.A. TEL: +1 (619) 308-7901
TOLL FREE: (888) 562-7072
FAX: +1 (619) 308-7900

SEACON PHOENIX

15 Gray Lane, Suite 108, Hopkinton Industrial Park,
Ashaway, Rhode Island 02804, USA.
TEL: +1 (401) 637-4952
FAX: +1 (401) 637-4953
E-Mail: sales@seaconphoenixllc.com
Website: www.seaconphoenix.com

SPECIAL ASSEMBLIES

SEACON maintains all facilities necessary to furnish complete under-water and environmental electrical connector/cable systems, including Research and Development, Engineering, Manufacturing, Quality Control and Pressure Testing. As well as supplying our standard 'off-the-shelf' items, we have the capability to design and manufacture SPECIAL CUSTOMIZED CONNECTORS AND CABLE ASSEMBLIES to suit your individual needs.

All reasonable efforts have been taken to ensure that the information contained herein is accurate at the date of publication, but no representation or warranty as to the accuracy or completeness of such information is intended or to be implied by its inclusion herein. Any and all representations and warranties pertaining to the information and products referred to herein shall be set forth in SEACON standard sales order form. In addition, SEACON reserves the right to make changes to the contents hereof without notice, therefore it is suggested that at the time of inquiry, the appropriate sales office or factory be contacted directly for verification of published specifications and products availability.

© 2017 SEACON
ALL RIGHTS RESERVED

