

# BUCHANAN WireMate CONNECTOR

## Vertical Poke-In Series

TE Connectivity (TE)'s BUCHANAN WireMate connectors vertical poke-in series are now offered in tray packaging for pick and place insertion for LED driver applications. The in-line connectors are available in 2 & 3 positions. The vertical poke-in connectors can also be offered in tray packaging. They are available in 2, 4 & 6 staggered positions. Compatible in potable and non-potable applications, with printed circuit board wave solder processes, the connectors allow for insertion of stripped solid conductor wire without special tooling. Designed for permanent connections within OEM assemblies, wire is securely held in place but can be removed with an extraction tool, if required.



### Applications

- Lighting Ballast and LED Drivers
- Garage Door Openers
- HVAC Controls
- Security Systems
- Vending and Gaming Products

### Electrical

- **Current Rating:** 6A Max (UL)
- **Voltage Rating:** 600 VAC Max
- **Dielectric Strength:** 2200 VAC

### Mechanical

- **Wire Retention:** 5 lb. (22.25 N)
- **Durability:** 5 cycles
- **Pitch:** .138 (3.5 mm) staggered centerline .322 (8.2 mm) in-line centerline
- **-30 °C to 105 °C operating temperature**

### Specifications

- **Application Specifications:** [114-13075](#) Vertical Poke-In  
[114-13223](#) In-Line Poke-In
- **Product Specifications:** [108-2059](#) Vertical Poke-In  
[108-2059-1](#) In-Line Poke-In
- UL 1977

### Materials

- **Housing:** UL 94 V-0 rated PBT
- **Contact:** Pre-tin over nickel plate copper alloy

### Benefits

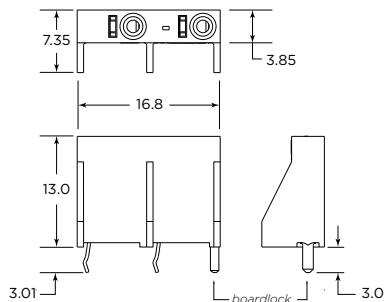
- Eliminates the need to hand solder or fixture and wave-solder wires directly to printed circuit board
- In-line screwless version terminates industry standard 18 AWG solid wire
- Staggered versions terminate industry standard 18-16 AWG solid wire and 18 AWG bonded wire
- Thru-hole solder mount with retention features integral to solder legs for PCB retention
- 2 & 4 position staggered and in-line versions have secondary board locks for additional retention
- Now available in tray packaging (2 & 3 position In-Line Screwless connectors only)

## Product Selection Information

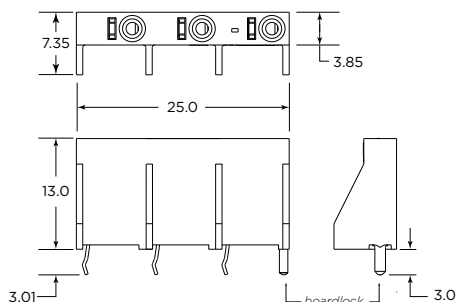
| Part Number                 | Description   |
|-----------------------------|---|
| <a href="#">1-2213629-2</a> | 2 Position Vertical Poke-In Connector In Pocket Trays     |
| <a href="#">2213629-3</a>   | 3 Position Vertical Poke-In Connector In Pocket Trays     |
| <a href="#">1-2008552-2</a> | 2 Position In-Line Poke-In Wire Connector                 |
| <a href="#">2008552-3</a>   | 3 Position In-Line Poke-In Wire Connector                 |
| <a href="#">1811957-1</a>   | 2 Position Vertical Poke-In Wire Connector with Boardlock |
| <a href="#">1811444-1</a>   | 4 Position Vertical Poke-In Wire Connector                |
| <a href="#">1811398-1</a>   | 6 Position Vertical Poke-In Wire Connector                |

## Dimensions

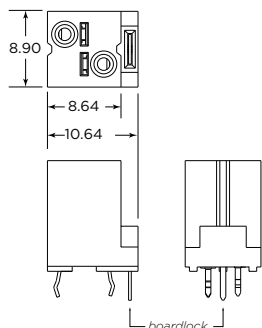
2 position in-line screwless wire connector



3 position in-line screwless wire connector



2 position screwless wire connector



4 & 6 position screwless wire connector

